

MORNINGTON PENINSULA SHIRE
TAC SAFE LOCAL ROADS AND STREETS PROGRAM

FUNCTIONAL DESIGN DRAWINGS

Controlled
Copy Issue
Number

PACKAGE 3: COMPACT ROUNDABOUTS
SITE 3: HODGKINSON STREET / HEALES STREET,
DROMANA

*Computer File: 30043459-43-001-3300.dgn
Catalogue: General
Project: 30043459
Drawing No. 30043459-43-001-3300*

MORNINGTON PENINSULA SHIRE
DROMANA

01

VICROADS MAP 159 REF G7



FUNCTIONAL DESIGN

17/11/2025 3:52:00 PM Default 30043459-43-001-3301.dgn

ISSUE	APP'D	DATE	AMENDMENT
A	RG	17.11.25	FUNCTIONAL DESIGN

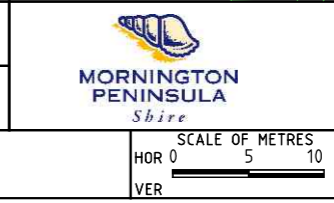
GENERAL NOTES



DESIGNED
SMEC

APPROVED
R.GUNTHER

CAT: -
PROJ: -
FILE: 30043459-43-001-3301.dgn



TAC SLRS PROGRAM				
MORNINGTON PENINSULA SHIRE				
PACKAGE 3: HODGKINSON ST/HEALES ST				
LOCALITY PLAN				
FILE NO.	CONTRACT NO.	SHEET NO.	DRAWING NO.	ISSUE
30043459	-	18	-	A

SHEET No.	FILE No.	DRAWING No.	DRAWING INDEX REVISION	DRAWING TITLE
17	30043459-43-001-3300	43-001-3300	A	COVER SHEET
18	30043459-43-001-3301	43-001-3301	A	PACKAGE 3: HODGKINSON ST/HEALES ST LOCALITY PLAN
19	30043459-43-001-3302	43-001-3302	A	PACKAGE 3: HODGKINSON ST/HEALES ST DRAWING INDEX
20	30043459-43-001-3303	43-001-3303	A	PACKAGE 3: HODGKINSON ST/HEALES ST LEGEND
21	30043459-43-002-3304	43-002-3304	A	PACKAGE 3: HODGKINSON ST/HEALES ST GENERAL NOTES
22	30043459-43-002-3301	43-002-3301	A	PACKAGE 3: HODGKINSON ST/HEALES ST TYPICAL DETAILS SHEET 1 OF 2
23	30043459-43-002-3302	43-002-3302	A	PACKAGE 3: HODGKINSON ST/HEALES ST TYPICAL DETAILS SHEET 2 OF 2
24	30043459-43-003-3301	43-003-3301	A	PACKAGE 3: HODGKINSON ST/HEALES ST ALIGNMENT PLAN SHEET

FUNCTIONAL DESIGN

17/11/2025 3:52:00 PM Default 30043459-43-001-3302.dgn

				GENERAL NOTES		 an smc company	DESIGNED SMEC	 MORNINGTON PENINSULA Shire	TAC SLRS PROGRAM MORNINGTON PENINSULA SHIRE PACKAGE 3: HODGKINSON ST/HEALES ST DRAWING INDEX				
							APPROVED R.GUNTHER Date:		SCALE OF METRES NOT TO SCALE	FILE NO. 30043459	CONTRACT NO. -	SHEET NO. 19	DRAWING NO. -
A	RG	17.11.25	FUNCTIONAL DESIGN				CAT: - PROJ: - FILE: 30043459-43-001-3302.dgn						
ISSUE	APP'D	DATE	AMENDMENT										

BOUNDARIES

————— CADASTRAL BOUNDARY

FEATURE SURVEY

- - - - - ROAD CROWN

o o o o o SIGNAGE

⊛ ELECTRICITY/LIGHTING POLE

● ELECTRICITY POLE

+ LIGHTING OUTREACH

▣ COMMS PIT

◻ DRAINAGE PIPE

⊕ ELECTRICITY PIT

⊗ WATER FIRE PLUG

○ SEWER PIT

△ WATER VALVE

☼ TREE

✱ BUSH

EXISTING SERVICES

--- D --- DRAINAGE

--- S --- SEWER

--- W --- WATER

--- T --- TELSTRA (UNDERGROUND)

--- G --- GAS

--- E --- ELECTRICITY (UNDERGROUND)

— ^ — ELECTRICITY (OVERHEAD)

— X — ABANDONED SERVICE

DESIGN SERVICES

==== PROPOSED KERB AND CHANNEL

⊥ PROPOSED SIGNAGE (SINGLE SIGN FACE)

⊥⊥ PROPOSED SIGNAGE (DOUBLE SIGN FACE)

———— MAJOR CONTOURS - DESIGN

———— MINOR CONTOURS - DESIGN

⊕ PROPOSED TGSI

⊔ TOP SOIL AND SEED

⊔ PROPOSED RRP

⊔ PROPOSED RRPM

⊔ PROPOSED RRPM

■ PROPOSED PAVEMENT RESHEET

■ PROPOSED CONCRETE ANNULUS PAVEMENT

■ PROPOSED ASPHALT HUMP PAVEMENT

FUNCTIONAL DESIGN

17/11/2025 3:52:01 PM Default 30043459-43-001-3303.dgn

ISSUE	APP'D	DATE	AMENDMENT
A	RG	17.11.25	FUNCTIONAL DESIGN

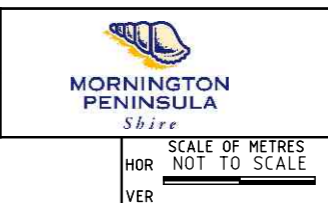
GENERAL NOTES



DESIGNED
SMEC

APPROVED
R.GUNTHER
Date:

CAT: -
PROJ: -
FILE: 30043459-43-001-3303.dgn



TAC SLRS PROGRAM				
MORNINGTON PENINSULA SHIRE				
PACKAGE 3: HODGKINSON ST/HEALES ST				
LEGEND				
FILE NO.	CONTRACT NO.	SHEET NO.	DRAWING NO.	ISSUE
30043459	-	20	-	A

GENERAL NOTES

- THESE DRAWINGS SHALL BE READ IN CONJUNCTION WITH THE SPECIFICATIONS AND OTHER SUCH WRITTEN INSTRUCTIONS THAT MAY BE ISSUED DURING THE COURSE OF THE CONTRACT.
- DO NOT OBTAIN DIMENSIONS BY SCALING FROM DRAWINGS.
- ALL DIMENSIONS ARE IN METRES UNLESS NOTED OTHERWISE.
- ALL COORDINATES ARE IN METRES TO THE MAP GRID OF AUSTRALIA ZONE 55 (GDA94). SETOUT IS APPROXIMATE ONLY AND SHOULD BE VERIFIED BY THE CONTRACTOR ON SITE PRIOR TO CONSTRUCTION. SETOUT DISCREPANCIES TO BE HIGHLIGHTED TO THE SUPERINTENDENT.
- ALL REDUCED LEVELS ARE IN METRES TO THE AUSTRALIAN HEIGHT DATUM (AHD).
- THE CONTRACTOR SHALL SET OUT THE WORKS PRIOR TO EXCAVATION. WHERE A CONFLICT OR INCONSISTENCY BECOMES APPARENT, THE CONTRACTOR SHALL NOTIFY THE SUPERINTENDENT IMMEDIATELY.
- DESIGN SURFACE SHOWN ON THE DRAWINGS SHOWS THE FINISHED SURFACE LEVEL IN LANDSCAPED AREAS THIS REPRESENTED THE TOP OF TOPSOIL.
- ALL DISTURBED SURFACES SHALL BE REINSTATED TO ORIGINAL CONDITION UNLESS NOTED OTHERWISE.
- NO TREE OR NATIVE VEGETATION SHALL BE DISTURBED OR REMOVED WITHOUT PRIOR APPROVAL FROM COUNCIL. ALL TREES AND VEGETATION THAT SHALL BE RETAINED WILL BE PROTECTED AS PER AS4790 REQUIREMENTS.
- SHOULD ANY ABORIGINAL ARTEFACTS BE DISCOVERED THEN THE CONTRACTOR SHALL NOTIFY THE SUPERINTENDENT IMMEDIATELY.
- SURVEY MARKERS AFFECTED BY THE WORKS TO BE RE-ESTABLISHED IN ACCORDANCE WITH THE REQUIREMENTS OF THE RELEVANT AUTHORITY
- REMOVED INFRASTRUCTURE MUST BE DISPOSED, OR WHERE REQUESTED BY THE EXISTING INFRASTRUCTURE OWNER, DELIVERED AND STACKED TO THE SPECIFIED LOCATION.
- EXISTING REDUNDANT STREET FURNITURE SHALL BE RETURNED TO THE COUNCIL.
- WHERE EXCAVATING TRENCHES GREATER THAN 1.5 m, WORKSAFE MUST BE NOTIFIED AND WORKS ARE TO BE COMPLETED IN ACCORDANCE WITH WORKSAFE EXCAVATION COMPLIANCE CODE.
- THE CONTRACTOR SHALL OBTAIN NECESSARY PERMITS AND APPROVALS FROM RELEVANT AUTHORITIES BEFORE WORK ON SITE IS COMMENCED.
- THE PROJECT WORKS ARE TO BE UNDERTAKEN IN ACCORDANCE WITH THE ENVIRONMENTAL REQUIREMENTS, APPROVALS AND APPLICABLE STANDARDS ETC.
- THE CONTRACTOR IS TO SUPPLY RELEVANT SECTIONS OF THESE NOTES AND THE SPECIFICATION TO SUB-CONTRACTORS.

UTILITIES NOTES

- UTILITY INFORMATION SHOWN ON THE PLANS ONLY DEPICT THE PRESENCE OF A SERVICE, BASED ON AVAILABLE EVIDENCE. THE LOCATIONS OF THE SERVICES SHOWN ARE APPROXIMATE ONLY, AND SIGLE LINES MAY REPRESENT MULTIPLE PIPES / CABLES / CONDUITS. THE CONTRACTOR IS RESPONSIBLE FOR CONFIRMING THE PRESENCE OF A UTILITY SERVICE, ITS SIZE, NUMBER AND LOCATION PRIOR BY FIELD INSPECTION PRIOR TO THE COMMENCEMENT OF ANY CONSTRUCTION WORKS.
- THE CONTRACTOR SHALL BE RESPONSIBLE FOR THE PROTECTION OF EXISTING UTILITY SERVICES DURING CONSTRUCTION.
- ALL SERVICES SHALL BE TREATED AS LIVE UNTIL REMOVED.
- UTILITY SERVICES SHOWN ON THIS PLAN ARE BASED ON DBYD DATA AND/OR DESKTOP ANALYSIS. THEY ARE TO A QUALITY LEVEL D AND IN ACCORDANCE WITH AS5488.

KERBS AND ROAD FURNITURE NOTES

- KERB TYPES SHALL BE IN ACCORDANCE WITH RELEVANT COUNCIL STANDARD DRAWINGS WHERE APPLICABLE, OR VICROADS STANDARD DRAWING SD2001 OTHERWISE. ALL KERBS ARE SET OUT ACCORDING TO THE KERB LIP. KERB TYPE AND LOCATION ARE NOTED ON THE DETAIL PLANS.
- WHERE TRANSITION OCCURS BETWEEN DIFFERENT KERB TYPES REFER VICROADS SD2102 FOR DETAILS. ALL KERB TRANSITIONS SHALL BE CONSTRUCTED OVER A LONGITUDINAL LENGTH OF 1.0m (MIN).
- KERB TERMINALS (APPROACH AND DEPARTURE) TO BE CONSTRUCTED IN ACCORDANCE WITH VICROADS SD 2101.
- WHERE WIDTH BETWEEN BACK OF KERB AND FOOTPATH IS LESS THAN 1.0m AREA TO BE CONCRETED UNLESS NOTED OTHERWISE ON DRAWINGS.
- ALL KERB OUTSTANDS TO BE CONSTRUCTED WITH SM1 KERB UNLESS NOTED OTHERWISE.
- ALL PRAM RAMPS / KERB RAMPS SHALL BE IN ACCORDANCE WITH THE RELEVANT COUNCIL STANDARD DRAWINGS WHERE APPLICABLE, OR AS 1428.1 OTHERWISE.
- ALL PRAM RAMPS / KERB RAMPS CONSTRUCTED AS PER IDM SD200 SHALL NOT HAVE BULL NOSE AT KERB INVERT FOR DISABILITY ACCESS.
- TGSIs TO BE INSTALLED IN ACCORDANCE WITH AS1428.4.1. CONTRAST BETWEEN TGSIs AND PAVEMENT TO BE IN ACCORDANCE WITH AS 1428.4.1.
- ALL VEHICLE CROSSINGS SHALL BE IN ACCORDANCE WITH THE RELEVANT COUNCIL STANDARD DRAWINGS WHERE APPLICABLE, OR RELEVANT VICROADS STANDARDS.

DRAINAGE NOTES

- EXISTING DRAINAGE PIT AND PIPE LAYOUT SHOWN ON THE DRAWINGS IS INDICATIVE ONLY. ALL LOCATIONS, ORIENTATION AND LEVELS OF EXISTING DRAINAGE MUST BE VERIFIED ON SITE PRIOR TO COMMENCING ANY WORK.
- BACKFILLING OF TRENCHES TO BE COMPLETED IN ACCORDANCE WITH COUNCIL STANDARD DRAWINGS OR WITH VICROADS SECTION 701.
- ALL DRAINAGE PITS TYPES AS SHOWN IN THE DRAWINGS TO BE AS PER RELEVANT COUNCIL STANDARDS WHERE APPLICABLE, OR RELEVANT VICROADS STANDARD DRAWINGS OTHERWISE.
- DRAINAGE PIT LIDS IN TRAFFICABLE AREAS MUST BE TRAFFICABLE. CONTRACTOR TO CONFIRM THAT EXISTING PITS LIDS IN WITHIN THE WORKS AREA ARE TRAFFICABLE AND REPLACE OTHERWISE.
- GRATED PITS LIDS MUST BE CYCLIST AND HEEL SAFE.

ROAD PAVEMENT WORKS NOTES

- ROAD SURFACING MUST NOT BE PERFORMED UNTIL ALL OTHER WORKS HAVE BEEN COMPLETED.
- PAVEMENT MATERIALS, CONSTRUCTION AND CONFORMANCE CRITERIA TO CONFORM TO THE RELEVANT COUNCIL SPECIFICATIONS, STANDARD AND DRAWINGS.
- CONSTRUCTION OF ALL CONCRETE PAVEMENTS MUST BE COMPLIANT WITH DTP SPECIFICATION SECTION 703. JOINT SEALANTS OF ALL CONCRETE PAVEMENTS MUST BE IN ACCORDANCE WITH DTP SPECIFICATION SECTION 503.

CONCRETE PATHS NOTES

- MINIMUM STRENGTH - CONCRETE FOR KERBS, ISLANDS AND FOOTPATHS TO HAVE A MINIMUM COMPRESSIVE STRENGTH OF 32MPa AT 28 DAYS.
- CONCRETE FOOTPATH TO BE DESIGNED AS PER RELEVANT COUNCIL STANDARDS WHERE APPLICABLE, OR RELEVANT VICROADS STANDARDS OTHERWISE.

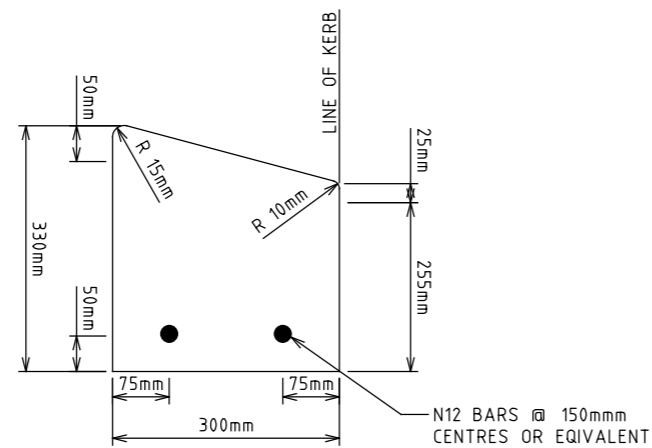
SIGNAGE AND LINEMARKING NOTES

- ALL SIGNS, LINEMARKING, AUDIO TACTILE LINEMARKING AND RRPMs SHALL BE PLACED IN ACCORDANCE WITH AS1742 AND RELEVANT VICROADS SUPPLEMENTS.
- ALL DIMENSIONS ARE TO LINE OF KERB AND CHANNEL UNLESS OTHERWISE SPECIFIED.
- SIGNS SHALL BE MANUFACTURED IN ACCORDANCE WITH DTP STANDARD SPECIFICATION 860 AND INSTALLED IN ACCORDANCE WITH DTP STANDARD SPECIFICATION 714. ALL SIGNS SHALL BE CLASS 1 HIGH INTENSITY TYPE AND COMPLY WITH THE REQUIREMENTS OF AS1743.
- STEEL SIGN POSTS SHALL BE HOT DIPPED GALVANISED IN ACCORDANCE WITH AS / NZS 4680.
- ALL STEEL AND ALUMINIUM TUBE POSTS SHALL BE CAPPED IN ACCORDANCE WITH DTP STANDARD DRAWING TC-1125.
- SIGN POST BRACKETS SHALL BE VICROADS APPROVED IN ACCORDANCE WITH VICROADS TRAFFIC ENGINEERING MANUAL VOLUME 2.
- EXISTING SIGNS TO BE RETAINED OR RELOCATED SHALL BE IN GOOD CONDITION- NOT BENT AND WITH GOOD COLOUR CONTRAST AND RETROREFLECTIVITY. SIGNS IN POOR CONDITION SHALL BE REPLACED.
- ALL EXISTING SIGNAGE WITHIN THE PROJECT AREA SHALL BE RETAINED UNLESS NOTED OTHERWISE.
- ALL EXISTING ROAD SIGNS IMPACTED BY THE WORKS WITHIN THE PROJECT BOUNDARY SHALL BE REMOVED UNLESS NOTED OTHERWISE.
- ALL EXISTING STREET BLADES SHALL BE RETAINED, OR IF IMPACTED BY THE WORKS, SHALL BE RELOCATED OR REPLACED.
- SIGN POSITION AND MOUNTING HEIGHT SHALL COMPLY WITH VICROADS SUPPLEMENT TO AS1742.2. ALL SIGNAGE ON THE KERB EXTENSION SHALL COMPLY WITH FIGURE 2 OF VICROADS SUPPLEMENT TO AS1742.10.
- ALL PAVEMENT MARKING SHALL BE WHITE UNLESS SHOWN OR NOTED OTHERWISE.
- PAVEMENT MARKINGS SHALL BE INSTALLED IN ACCORDANCE WITH DTP STANDARD SPECIFICATION 721. ALL LINEMARKING SHALL BE THERMOPLASTIC.
- ALL RAISED PAVEMENT MARKERS TO COMPLY WITH AS1742.2 AND RELEVANT VICROADS SUPPLEMENT AND SHALL BE INSTALLED IN ACCORDANCE WITH DTP STANDARD SPECIFICATION 710 AND 853.
- ROAD HUMPS SHALL BE IN ACCORDANCE WITH AS 1742.13. ROAD HUMPS LINE MARKING SHALL BE IN ACCORDANCE WITH AS1742.2 AND RELEVANT VICROADS SUPPLEMENT.

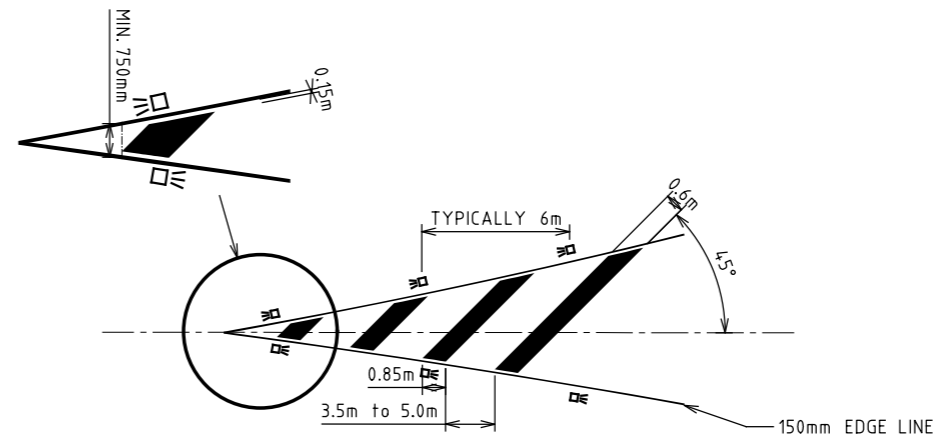
FUNCTIONAL DESIGN

17/11/2025 3:52:01 PM Default 30043459-43-001-3304.dgn

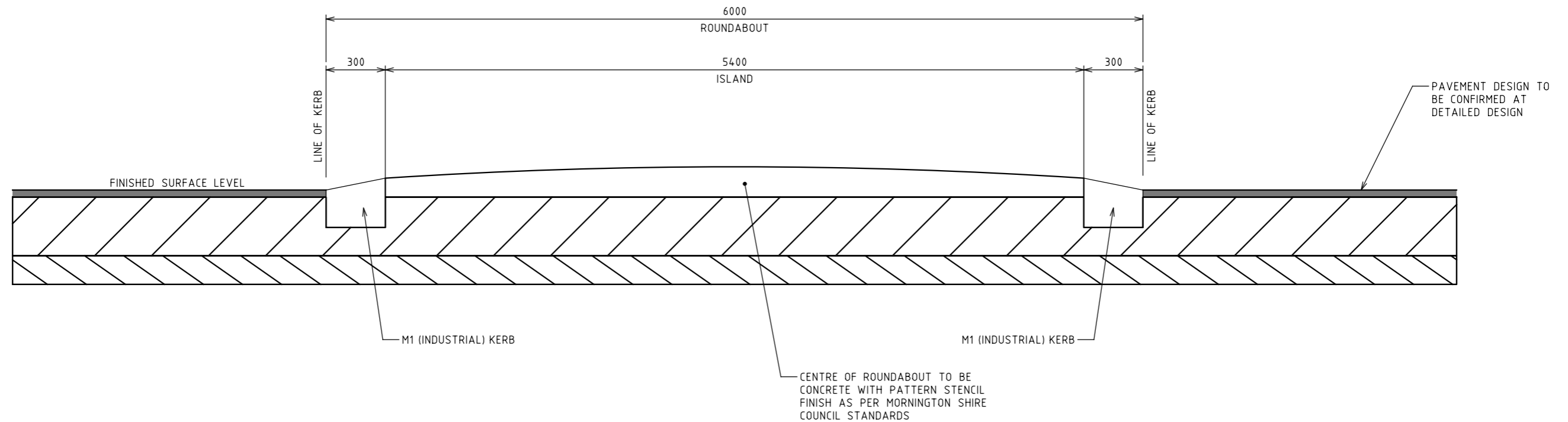
				GENERAL NOTES		DESIGNED SMEC		TAC SLRS PROGRAM MORNINGTON PENINSULA SHIRE PACKAGE 3: HODGKINSON ST/HEALES ST GENERAL NOTES				
						APPROVED R.GUNTHER Date:						SCALE OF METRES NOT TO SCALE
A	RG	17.11.25	FUNCTIONAL DESIGN			CAT: - PROJ: - FILE: 30043459-43-001-3304.dgn	HOR					
ISSUE	APP'D	DATE	AMENDMENT				VER					



M1 KERB (INDUSTRIAL)
N.T.S.



TYPICAL DIAGONAL LINEMARKING DETAIL
N.T.S.



COMPACT ROUNDABOUT TYPICAL SECTION
N.T.S.

NOTES

- ALL DIMENSIONS ARE IN METRES UNLESS NOTED OTHERWISE

FUNCTIONAL DESIGN

17/11/2025 3:52:01 PM Default 30043459-43-002-3301.dgn

ISSUE	APP'D	DATE	AMENDMENT
A	RG	17.11.25	FUNCTIONAL DESIGN

GENERAL NOTES	

smec
an company

DESIGNED
SMEC

APPROVED
R.GUNTHER

Date: -

CAT: -

PROJ: -

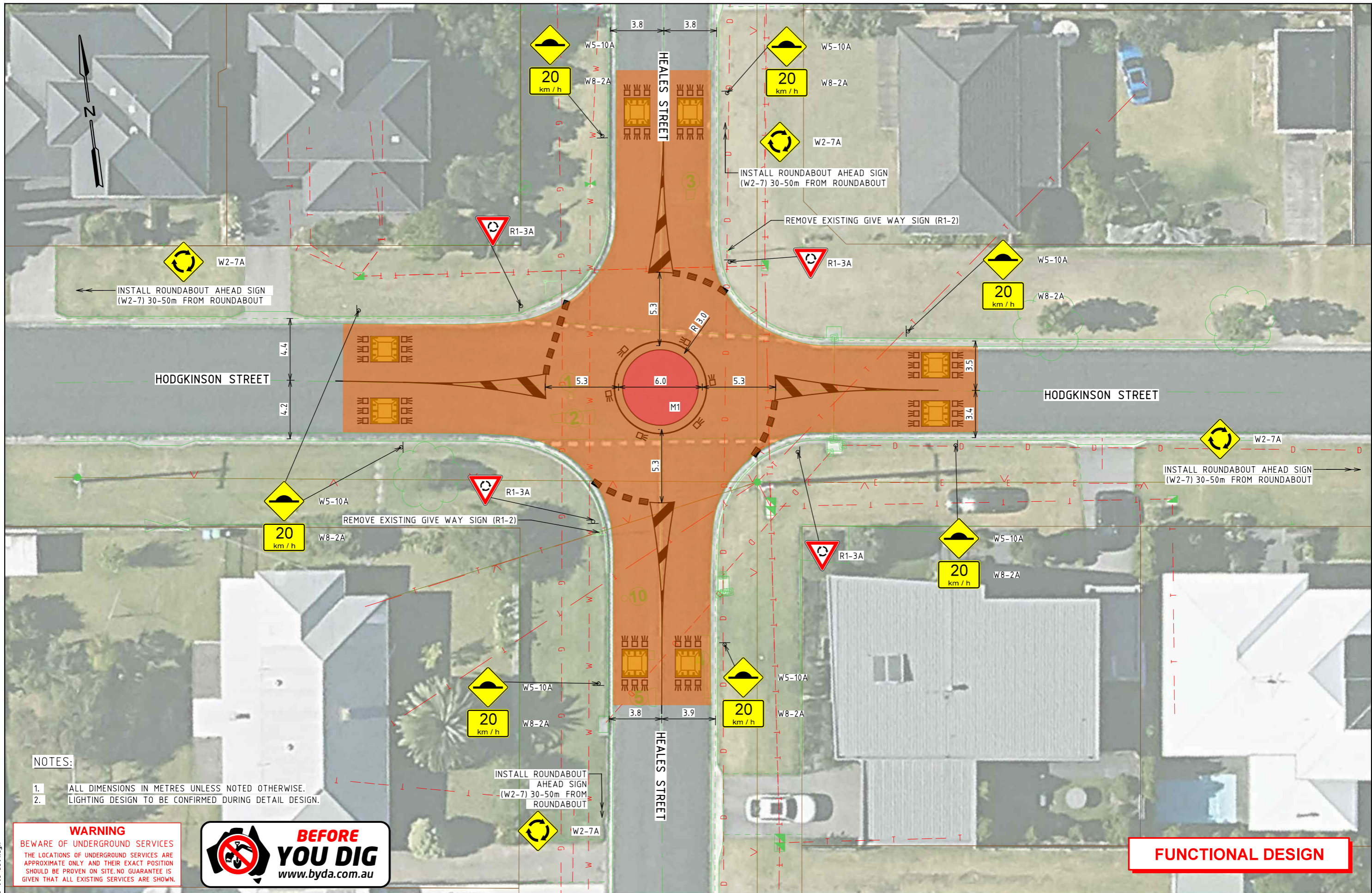
FILE: 30043459-43-002-3301.dgn

MORNINGTON PENINSULA Shire

SCALE OF METRES
NOT TO SCALE

HOR
VER

TAC SLRS PROGRAM				
MORNINGTON PENINSULA SHIRE				
PACKAGE 3: HODGKINSON ST/HEALES ST				
TYPICAL DETAILS SHEET 1 OF 2				
FILE NO.	CONTRACT NO.	SHEET NO.	DRAWING NO.	ISSUE
30043459	-	22	-	A



NOTES:

1. ALL DIMENSIONS IN METRES UNLESS NOTED OTHERWISE.
2. LIGHTING DESIGN TO BE CONFIRMED DURING DETAIL DESIGN.

WARNING
 BEWARE OF UNDERGROUND SERVICES
 THE LOCATIONS OF UNDERGROUND SERVICES ARE APPROXIMATE ONLY AND THEIR EXACT POSITION SHOULD BE PROVEN ON SITE. NO GUARANTEE IS GIVEN THAT ALL EXISTING SERVICES ARE SHOWN.



FUNCTIONAL DESIGN

17/11/2025 3:52:03 PM Default 30043459-43-003-3301.dgn

ISSUE	APP'D	DATE	AMENDMENT
A	RG	17.11.25	FUNCTIONAL DESIGN

GENERAL NOTES



DESIGNED
SMEC

APPROVED
R.GUNTHER

Date:

CAT: -
 PROJ: -
 FILE: 30043459-43-003-3301.dgn

SCALE OF METRES
 HOR 0 2.5 5
 VER

TAC SLRS PROGRAM				
MORNINGTON PENINSULA SHIRE				
PACKAGE 3: HODGKINSON ST/HEALES ST				
ALIGNMENT PLAN SHEET				
FILE NO.	CONTRACT NO.	SHEET NO.	DRAWING NO.	ISSUE
30043459	-	24	-	A