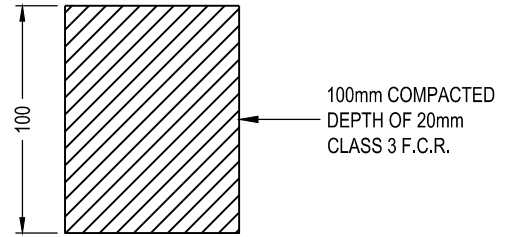


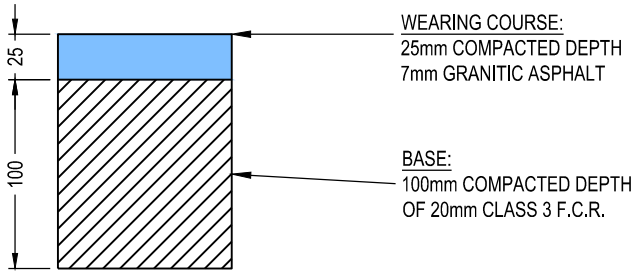
PLAIN / EXPOSED AGGREGATE CONCRETE

SCALE 1:5



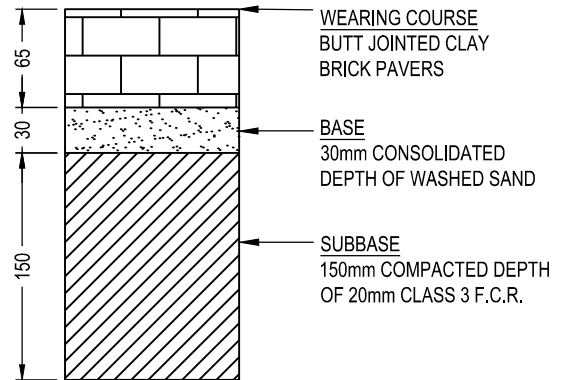
CRUSHED ROCK

SCALE 1:5



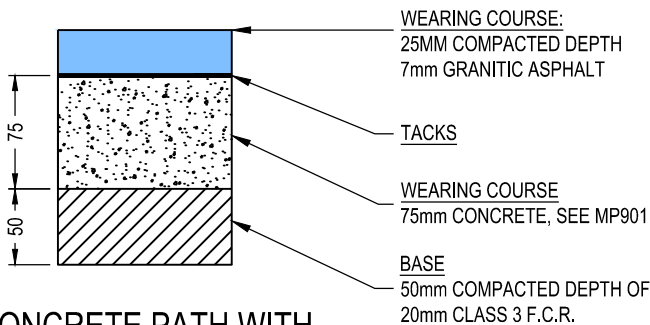
GRANITIC ASPHALT

SCALE 1:5



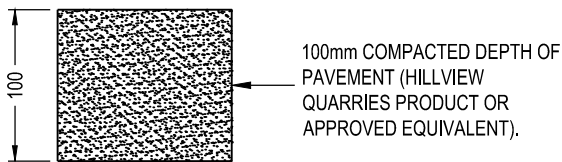
BRICK PAVED

SCALE 1:5



CONCRETE PATH WITH ASPHALT WEARING COURSE

SCALE 1:5



GRANITIC SAND

SCALE 1:5

NOTES:

1. MIN. ONE BAY OF FOOTPATH EITHER SIDE OF VEHICLE CROSSING MUST INCLUDE REINFORCEMENT AS PER MP303
2. IF EXPOSED AGGREGATE MUST BE GOLDEN BEACH BLEND OR AS APPROVED BY COUNCIL REPRESENTATIVE.



MORNINGTON PENINSULA
Shire

STANDARD PLAN
PATH CONSTRUCTION
STANDARDS

[Signature]
MANAGER - INFRASTRUCTURE PROJECTS

DATE OF ISSUE
SHEET NO

10/01/2025
1 OF 1

MP903

AMENDMENTS		
REV.	DESCRIPTION	DATE
A.	DIMENSIONS OF GRANITIC ASPHALT & CRUSHED ROCK DETAILS AMENDED	20.12.2006
B.	EXPOSED AGGREGATE CONCRETE DETAILS AMENDED	01.10.2009