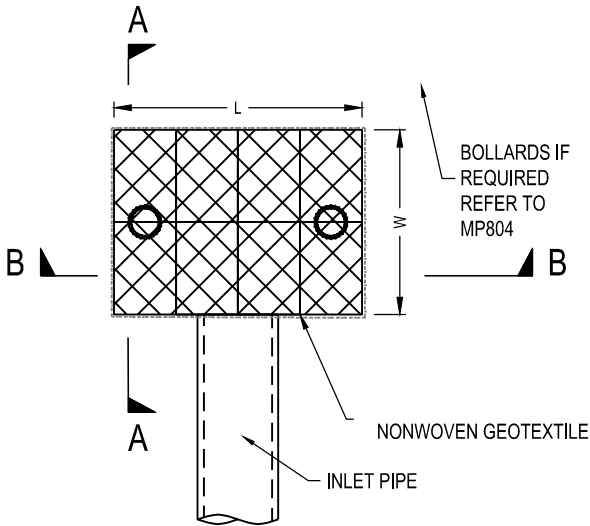
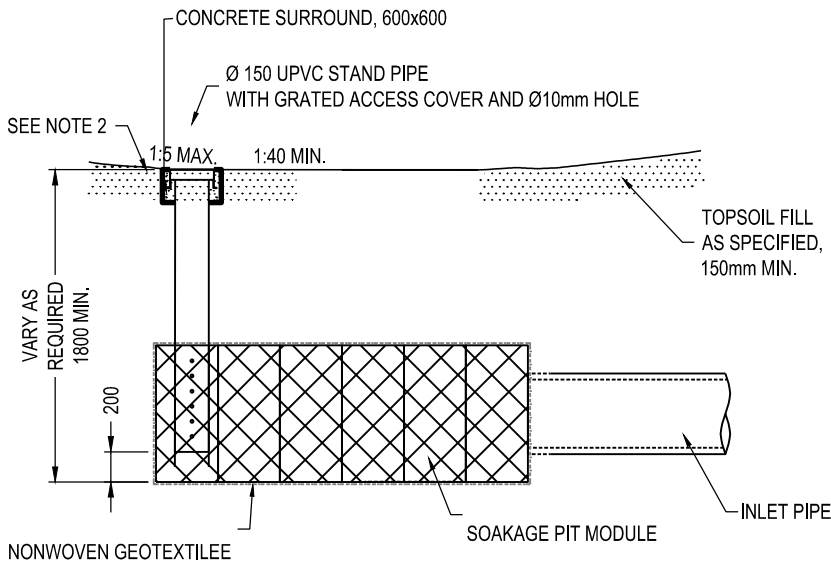


**NOTES:**

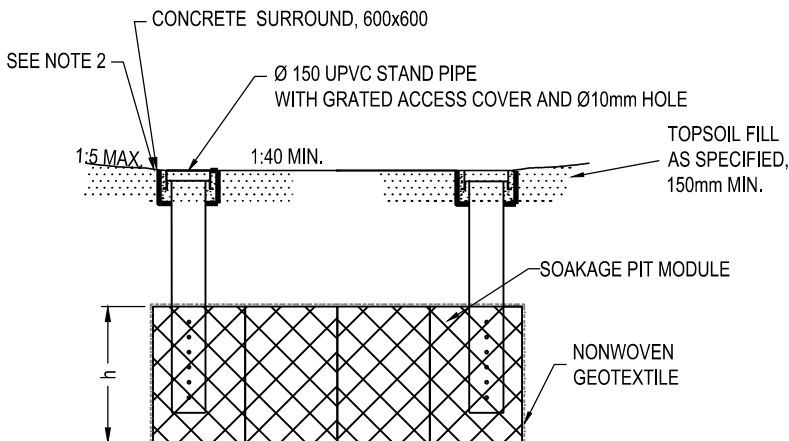
- 1 FOR BEDDING, SEE CLAUSE F4 OF THE MORNINGTON PENINSULA SHIRE SPECIFICATION.
- 2 USE ONLY FOR CONSTRUCTION OF PUBLIC SOAK PITS WITHIN THE ROAD RESERVE.
- 3 SOAK AREA TO BE LOCATED IN A NATURAL OR CREATED BASIN (TURKEYS NEST). THE DISTURBED AREA BE ROLLED WITH HAND ROLLER AND SOWN WITH APPROVED GRASS SEED. CREATED BASINS MUST BE CONSTRUCTED SO THEY APPEAR NATURAL. IF SOAK PIT CARRIES TRAFFIC LOAD, SOAK PIT TO BE INSTALLED WITH FCR COVER AS PER MANUFACTURER SPECIFICATIONS.
- 4 ALL MEASUREMENTS IN MILLIMETRES.
- 5 BOLLARDS TO BE INSTALLED AS DIRECTED ON SITE BY SUPER INTENDENT IF REQUIRED. REFER TO MP804.



**PLAN**  
SCALE 1:50



**SECTION A-A**  
SCALE 1:50



**SECTION B-B**  
SCALE 1:50

**MORNINGTON  
PENINSULA  
Shire**

**STANDARD PLAN  
MICRO SOAKAGE PIT**

*[Signature]*  
MANAGER - INFRASTRUCTURE PROJECTS

**DATE OF ISSUE** 05/12/2024  
**SHEET NO** 1 OF 1

**MP247**