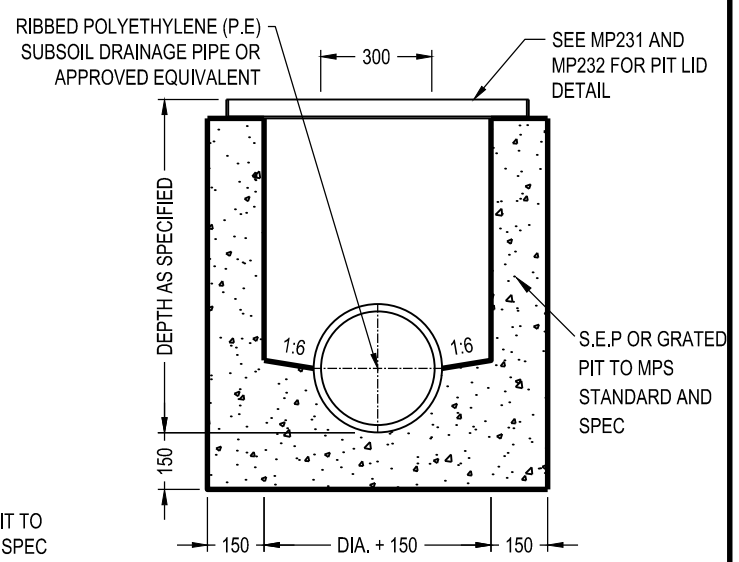
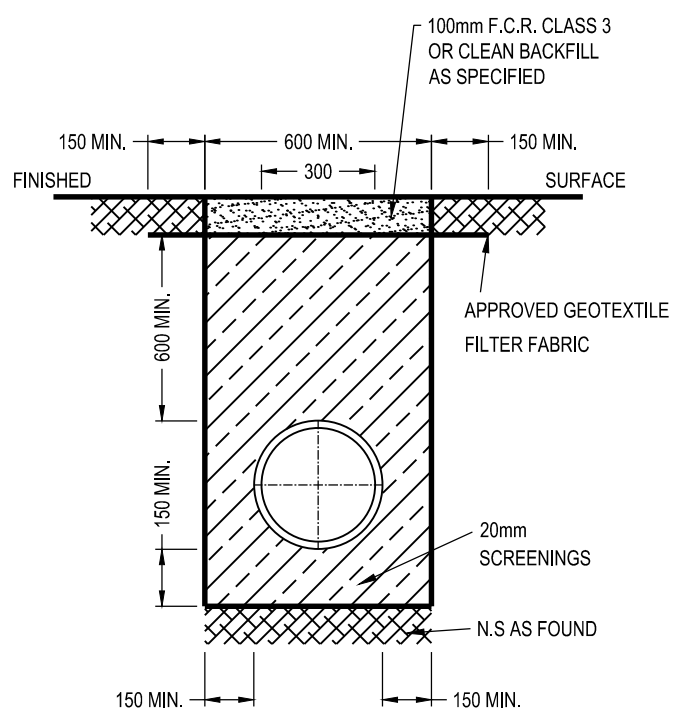


PLAN  
SCALE 1:20



TYPICAL SECTION  
SCALE 1:20



SOAKAGE TRENCH DETAIL  
SCALE 1:20

- NOTES:
- 1 LENGTH TO BE DETERMINED BY CATCHMENT AREA AND SOAKAGE RATE (CONSULT SUPERINTENDENT).
  - 2 ALL MEASUREMENTS ARE IN MILLIMETRES.



**MORNINGTON  
PENINSULA**  
*Shire*

**STANDARD PLAN**  
300mm SUBSOIL  
DRAINAGE TRENCH

*[Signature]*  
MANAGER - INFRASTRUCTURE PROJECTS

DATE OF ISSUE 05/12/2024  
SHEET NO 1 OF 1

**MP240**