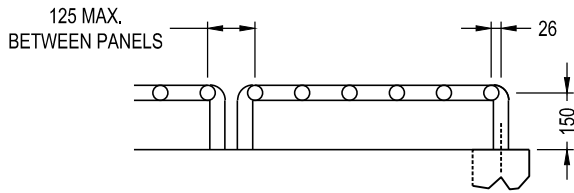


NOTE: END BARS TO BE 40 DIA. N.B. HEAVY WT. PIPE

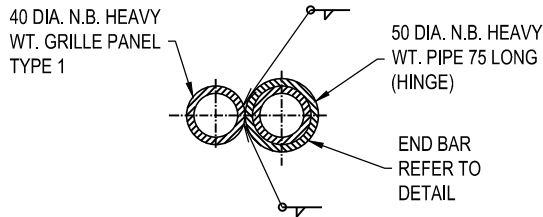


**END BAR DETAIL**

SCALE 1:20

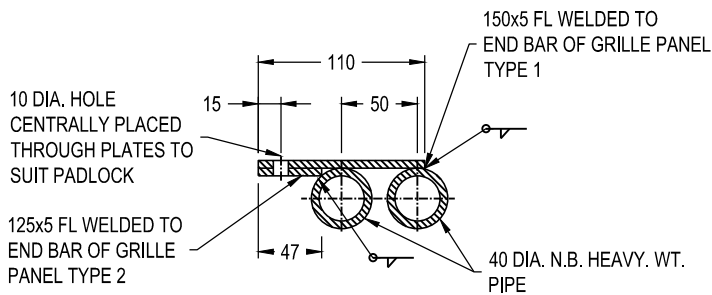
**NOTES:**

- 1 REFER TO SHEET 1.
- 2 ALL MEASUREMENTS ARE IN MILLIMETRES.



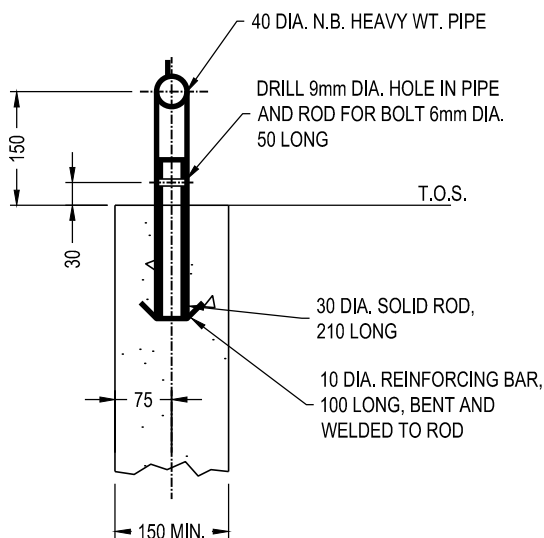
**HINGE DETAIL**

SCALE 1:5



**HINGE DETAIL**

SCALE 1:5



**FIXING DETAIL**

SCALE 1:20



**MORNINGTON PENINSULA**  
*Shire*

**STANDARD PLAN**  
PIPE GRILLE FOR PIT OPENING  
GREATER THAN 900 x 900

MANAGER - INFRASTRUCTURE PROJECTS

**DATE OF ISSUE**  
**SHEET NO**

05/12/2024  
2 OF 2

**MP229.2**