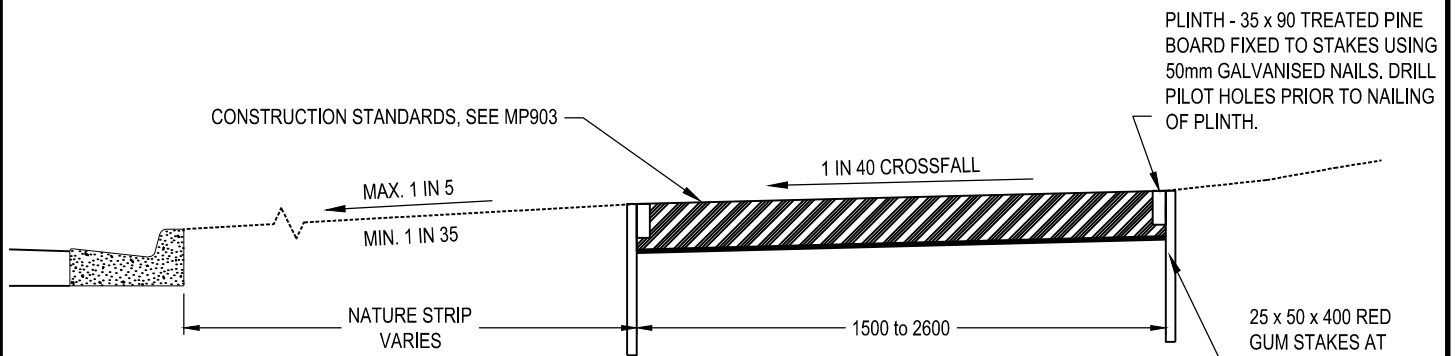


TYPICAL SECTION - PATH

SCALE 1:20



TYPICAL SECTION WITH TIMBER PLINTHS - PATH

SCALE 1:20

PLINTH - 35 x 90 TREATED PINE BOARD FIXED TO STAKES USING 50mm GALVANISED NAILS. DRILL PILOT HOLES PRIOR TO NAILING OF PLINTH.

25 x 50 x 400 RED GUM STAKES AT 1.20m CENTRES AND 0.20m EITHER SIDE OF PLINTH JOINTS



MORNINGTON
PENINSULA
Shire

STANDARD PLAN
TYPICAL PATH SECTION

MANAGER - INFRASTRUCTURE PROJECTS

DATE OF ISSUE
SHEET NO

10/01/2025
1 OF 1

MP902