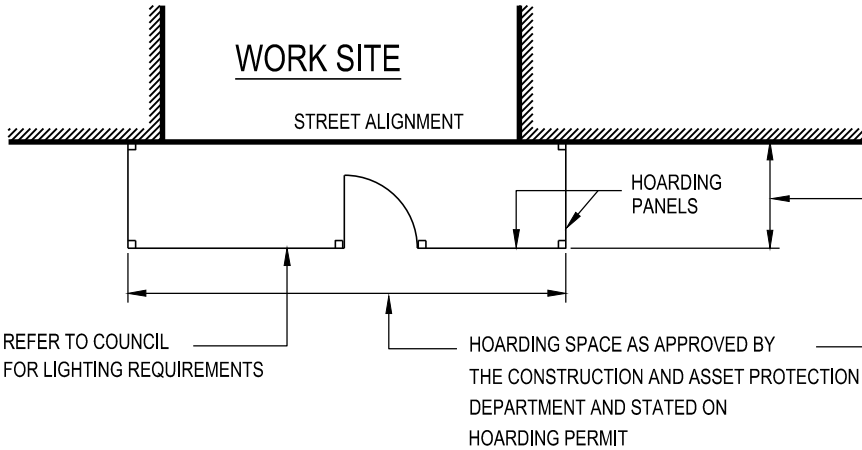
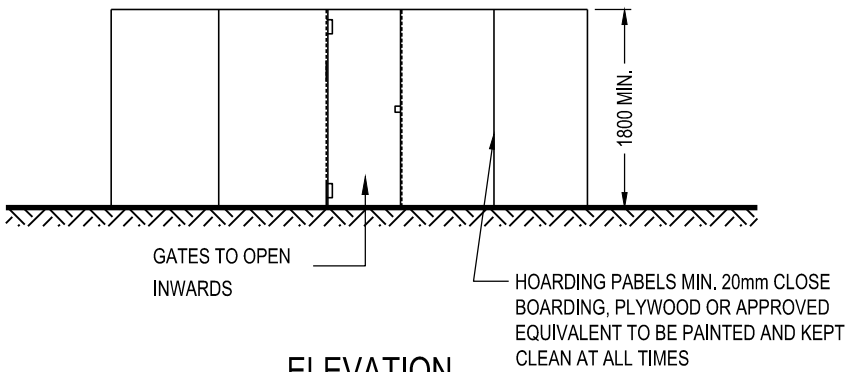


NOTES:

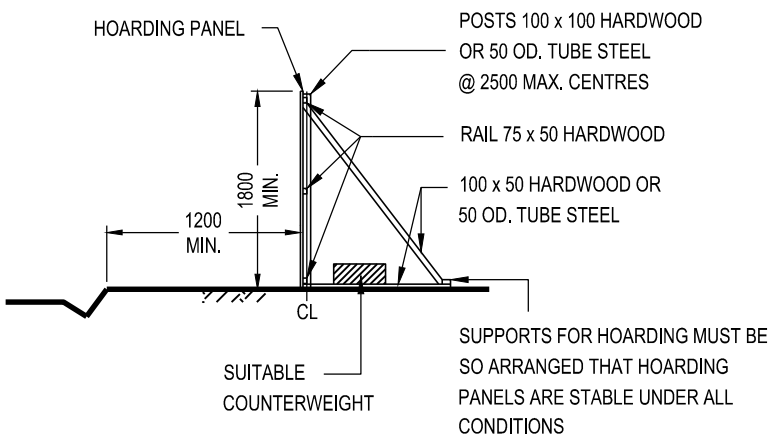
1. ALL MEASUREMENTS ARE IN MILLIMETRES.



PLAN



ELEVATION



TYPICAL SECTION  
HOARDING WITHOUT POSTHOLES



MORNINGTON  
PENINSULA  
*Shire*

STANDARD PLAN  
HOARDINGS

*[Signature]*

MANAGER - INFRASTRUCTURE PROJECTS

DATE OF ISSUE  
SHEET NO

10/01/2025  
1 OF 1

MP814