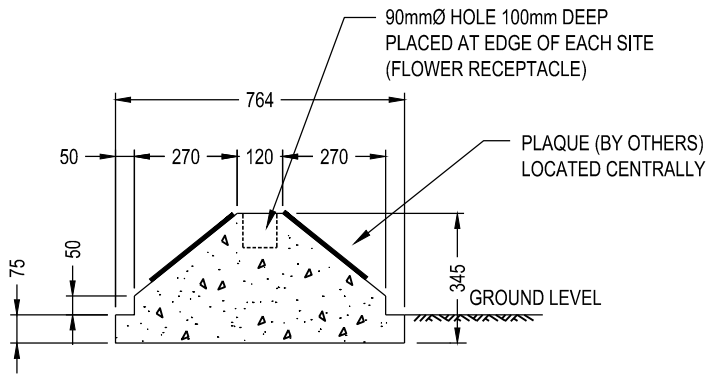
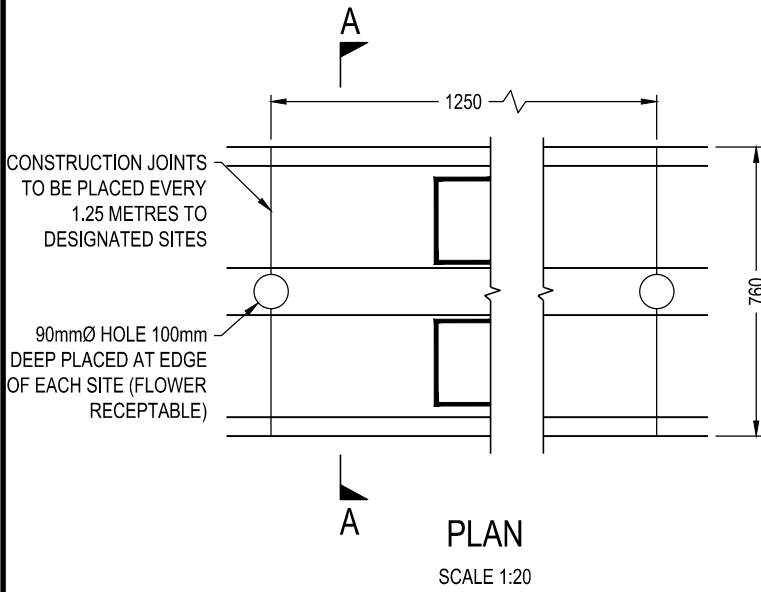


NOTES:

1. ALL MEASUREMENTS ARE IN MILLIMETRES.



MORNINGTON  
PENINSULA  
*Shire*

STANDARD PLAN  
LAWN CEMETERY CONCRETE  
PATH

MANAGER - INFRASTRUCTURE PROJECTS

DATE OF ISSUE  
SHEET NO

10/01/2025  
1 OF 1

MP807