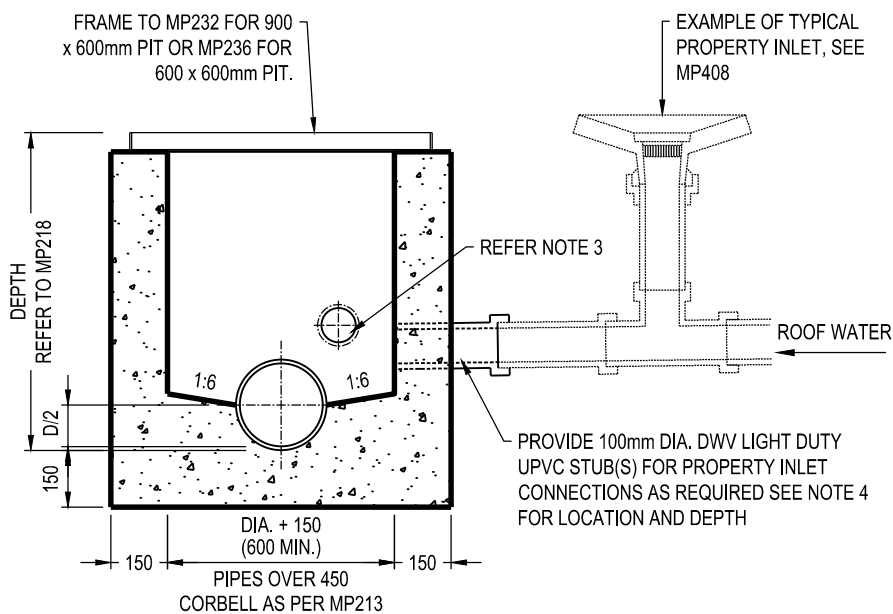
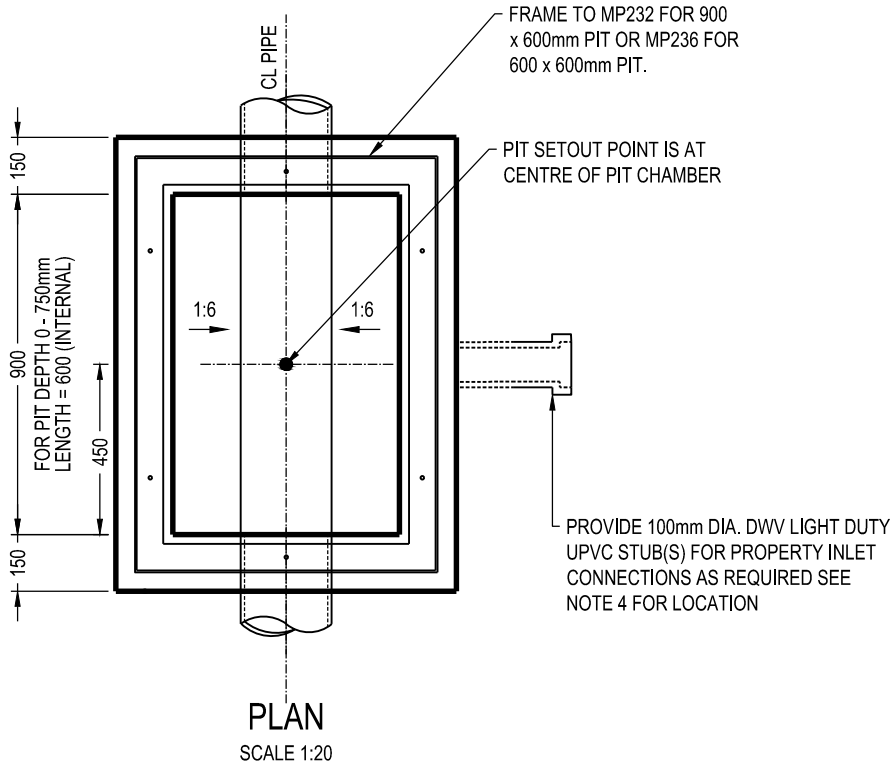


NOTES:

- 1 PIT LID TO BE AN APPROVED CLASS B TYPE OR APPROVED EQUIVALENT. FOR FRAME AND LID DETAILS, REFER MP232 FOR 900 x 600mm PIT OR MP236 FOR 600 x 600mm PIT.
- 2 PIT IS TO BE CAST-IN-SITU ONLY.
- 3 PIT LIDS TO BE KHAKI GREEN IN NATURE STRIPS AND STORM GREY IN NATURAL COLOUR CONCRETE. IN OTHER PAVED AREAS COLOUR OF PIT LIDS SHALL BE MATCHED TO COLOUR OF PROPOSED FINISHED SURFACE. CONTACT LID MANUFACTURER TO ARRANGE SUITABLE CUSTOM COLOUR MATCH.
- 4 IN AREAS OTHER THAN FREE FLOWING SAND WHERE A.G. LINES ARE NOT CONNECTED INTO THE PIT, ALLOW 100mmØ A.G. OPENING INTO PIT ABOVE OBVERT LEVEL OF INLET PIPES. BACKFILL PIPELINE FOR 500mm BACK FROM PIT WITH 20mm SCREENINGS TO TOP OF PIPE AND COVER WITH APPROVED GEOTEXTILE FILTER FABRIC.
- 5 100mm DIA. SEWER CLASS UPVC STUB(S) FOR PROPERTY INLET CONNECTIONS AS REQUIRED. REFER TO APPROVED ENGINEERING PLANS FOR LOCATION AND DEPTH. MINIMUM 500MM COVER OVER INLET PIPE.
- 6 THIS STANDARD NEEDS TO READ CONJUNCTION WITH MP213, MP218, MP408, AND MP232/MP236.
- 7 ALL MEASUREMENTS ARE IN MILLIMETRES.



**MORNINGTON
PENINSULA**
Shire

**STANDARD PLAN
JUNCTION PIT**

[Signature]

MANAGER - INFRASTRUCTURE PROJECTS

**DATE OF ISSUE
SHEET NO**

05/12/2024
1 OF 1

MP211