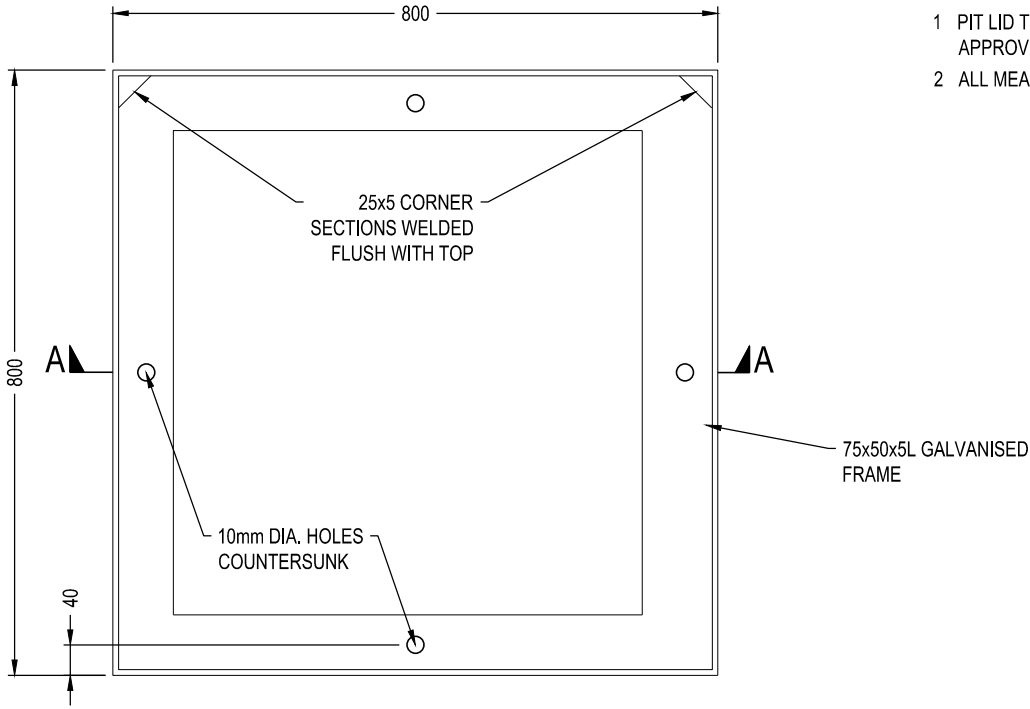
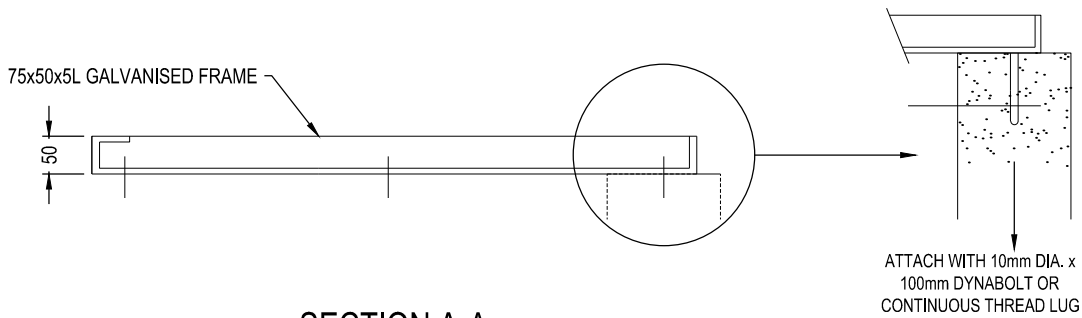


NOTES:

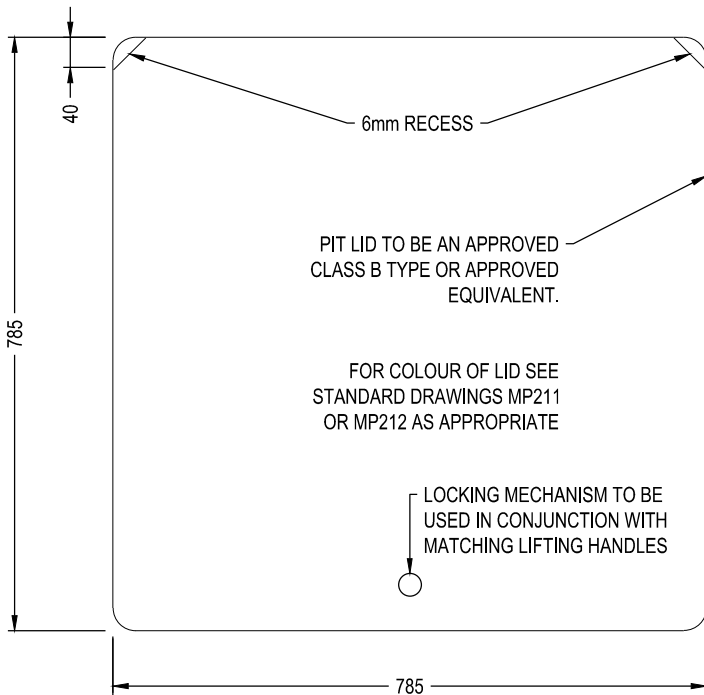
- 1 PIT LID TO BE AN APPROVED CLASS B TYPE OR APPROVED EQUIVALENT.
- 2 ALL MEASUREMENTS ARE IN MILLIMETRES.



FRAME
SCALE 1:10



SECTION A-A
SCALE 1:10



LID
SCALE 1:10



**MORNINGTON
PENINSULA**
Shire

STANDARD PLAN
FRAME & LID DETAIL FOR 600 x
600 EASEMENT AND JUNCTION
PITS

MANAGER - INFRASTRUCTURE PROJECTS

DATE OF ISSUE
SHEET NO

05/12/2024
1 OF 1

MP236