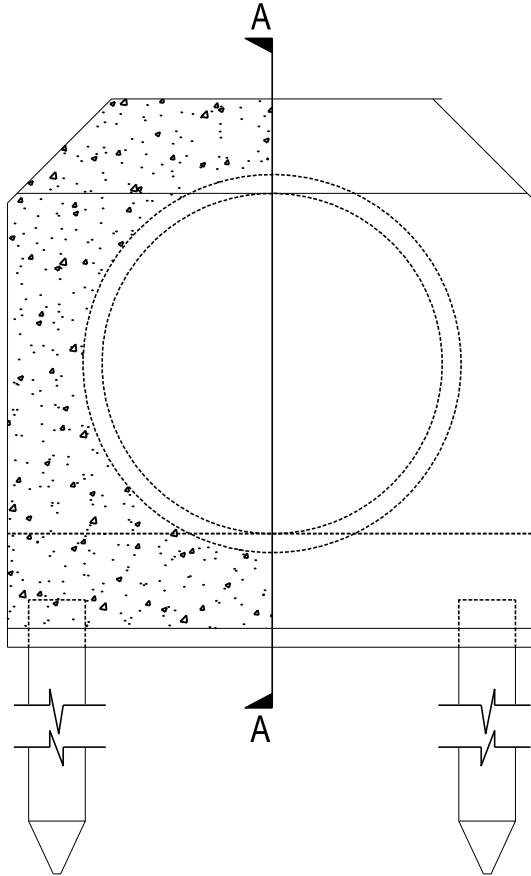


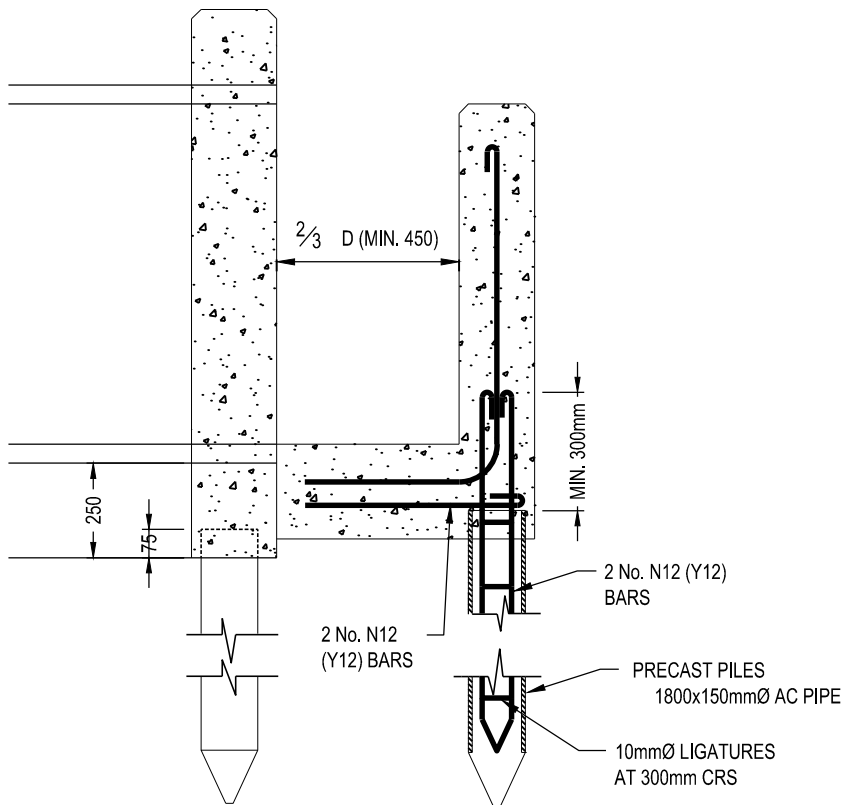
NOTES

- 1. CONCRETE COVER MINIMUM 65mm.
- 2. CONCRETE STRENGTH 30MPa AT 28 DAYS.
- 3. MEASUREMENTS ARE IN MILLIMETRES.



ELEVATION

SCALE 1:20



SECTION A-A

SCALE 1:20



MORNINGTON
PENINSULA
Shire

STANDARD PLAN
ENDWALL BAFFLE

MANAGER - INFRASTRUCTURE PROJECTS

DATE OF ISSUE
SHEET NO

10/01/2025
1 OF 1

MP503