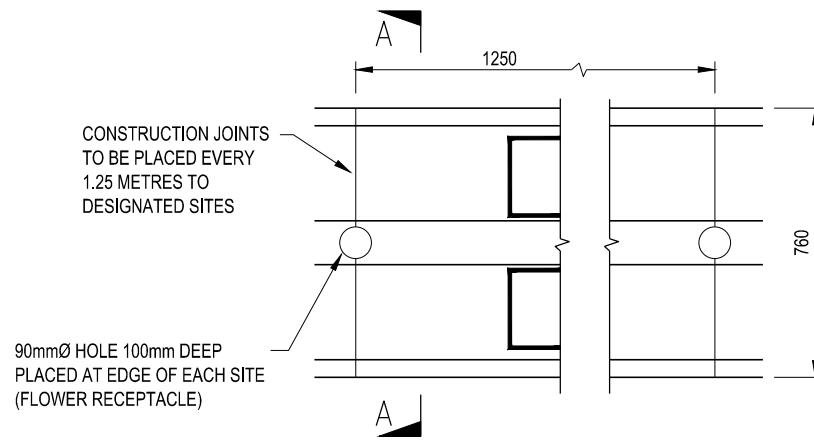
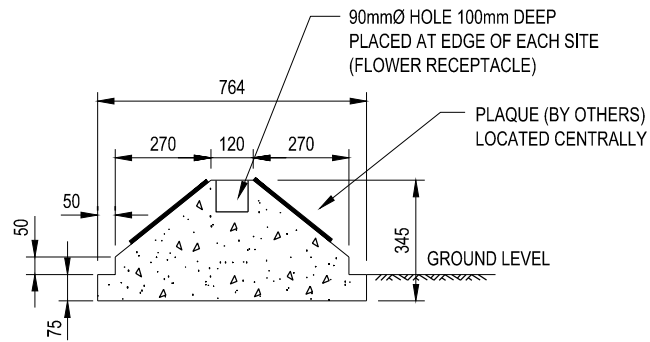


NOTES:

1. ALL MEASUREMENTS ARE IN MILLIMETRES.



PLAN
SCALE 1:20



SECTION A-A
SCALE 1:20



STANDARD PLAN
LAWN CEMETERY
CONCRETE PATH

CERTIFICATION

D. Rotter
DEREK ROTTER - MANAGER PROJECT DELIVERY

DATE OF ISSUE: Sept 2015

SHEET NO.: 1 OF 1

MP807