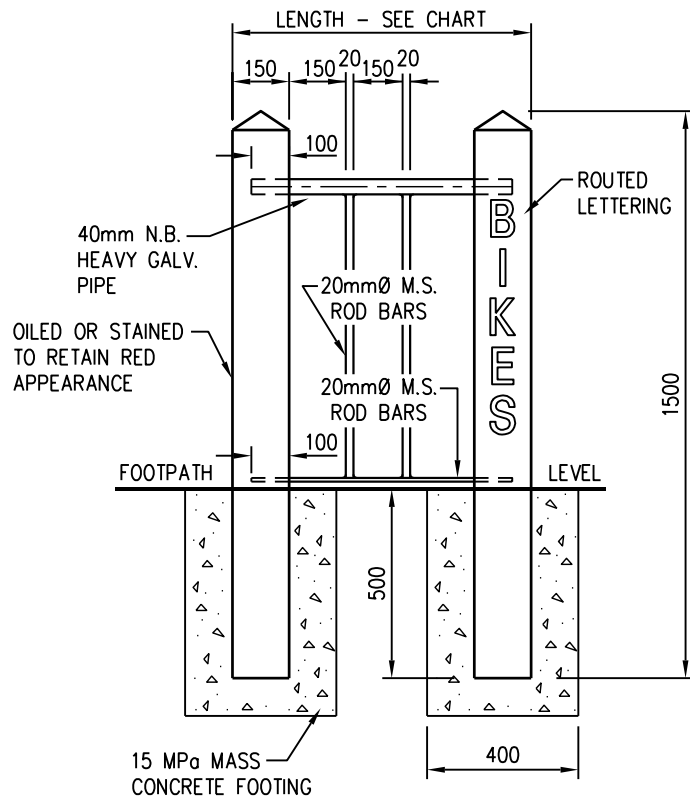


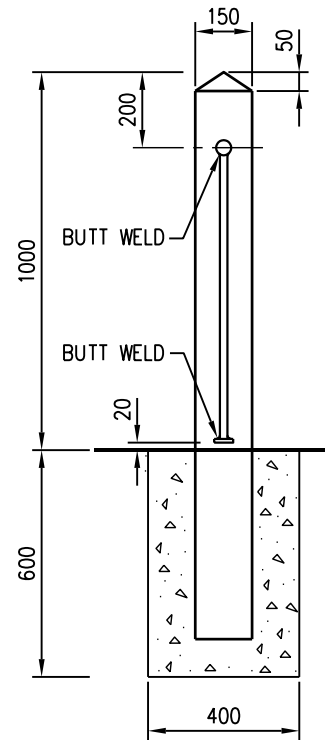
RAIL LENGTHS

NO. OF BIKES	TOP & BOTTOM RAIL (mm)
4	860
6	1200
8	1540
10	1880
12	2220



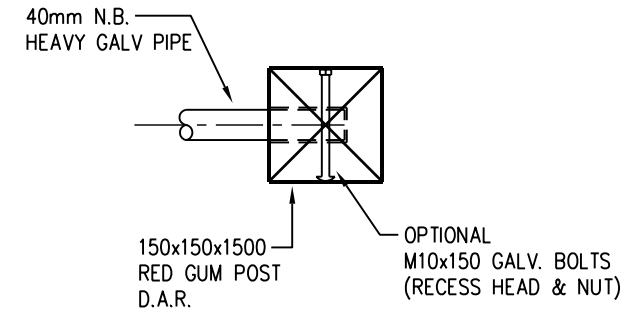
FRONT ELEVATION

SCALE 1:20



SIDE ELEVATION

SCALE 1:20






DETAIL

SCALE 1:20

NOTES:

1. ALL METAL PARTS TO BE HOT DIPPED GALVANISED IN ACCORDANCE WITH AS/NZ 4680:1999 AND PAINTED "BRUNSWICK GREEN". 100mm HIGH ROUTED LETTERING ON BOTH SIDES OF POST NEAREST FOOTPATH.
2. ALL MEASUREMENTS ARE IN MILLIMETRES.

DESIGNED:	DRAWN: P.S.
 MANAGER - INFRASTRUCTURE PROJECT MANAGEMENT DATE: 09.07.2004	

 MORNINGTON PENINSULA  <i>Shire</i>
TIMBER & STEEL BICYCLE RACK
LAST UPDATED: 07.07.2004 MP806