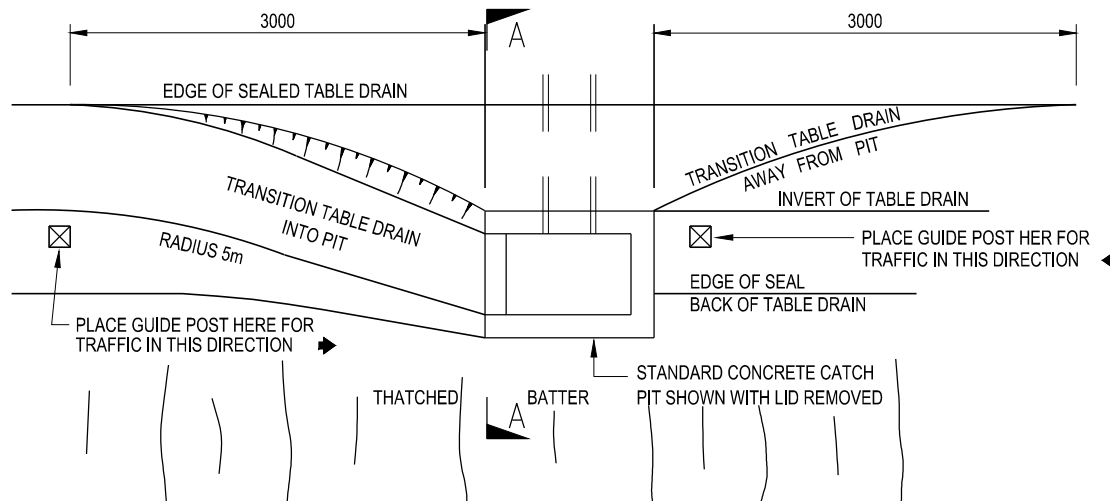


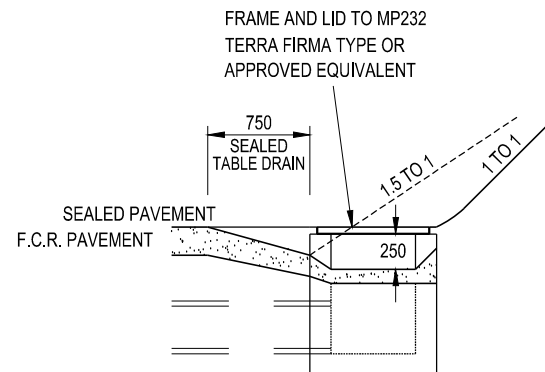
NOTES:

1. ALL MEASUREMENTS ARE IN MILLIMETRES.



CATCH PIT IN SEALED TABLE DRAIN

SCALE 1:50



SECTION A-A

SCALE 1:50



**MORNINGTON
PENINSULA**
Shire

STANDARD PLAN

**ASPHALT KERB & LINED TABLE
DRAIN - CATCH PIT IN SEALED
TABLE DRAIN**

CERTIFICATION

D. Rotter
DEREK ROTTER - MANAGER PROJECT DELIVERY

DATE OF ISSUE: Sept 2015

SHEET NO.: 1 OF 1

MP704