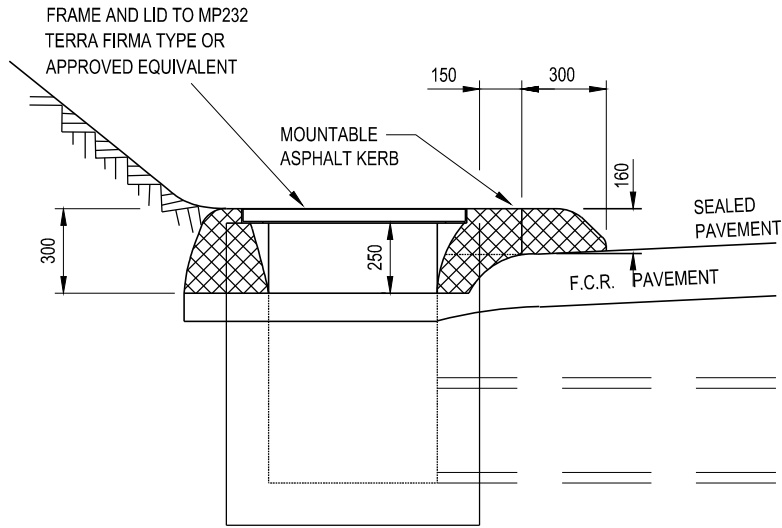
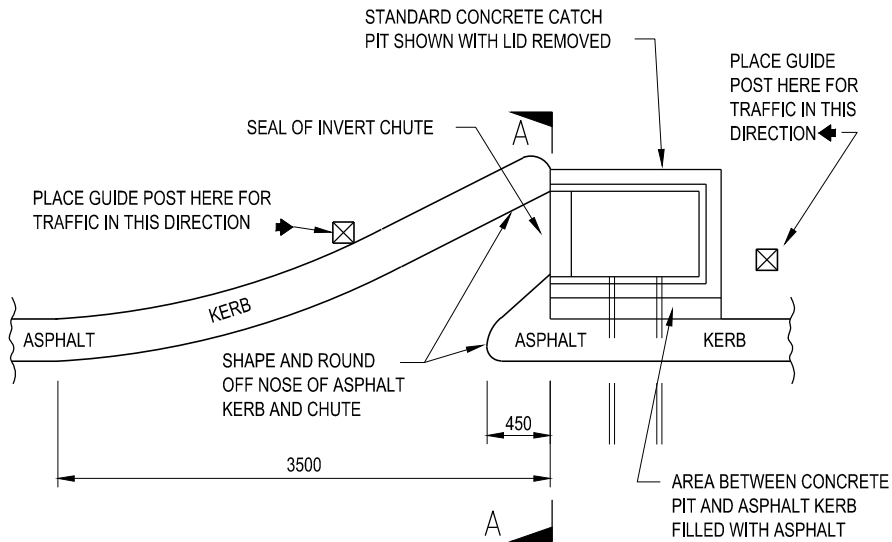


NOTES:

1. ALL MEASUREMENTS ARE IN MILLIMETRES.



SECTION A-A
SCALE 1:25



CATCH PIT FOR ASPHALT KERB
SCALE 1:50



STANDARD PLAN

CATCH PIT FOR ASPHALT KERB & LINER TABLE DRAIN

CERTIFICATION
D. Rotter
DEREK ROTTER - MANAGER PROJECT DELIVERY

DATE OF ISSUE: Sept 2015
SHEET NO.: 1 OF 1

MP703