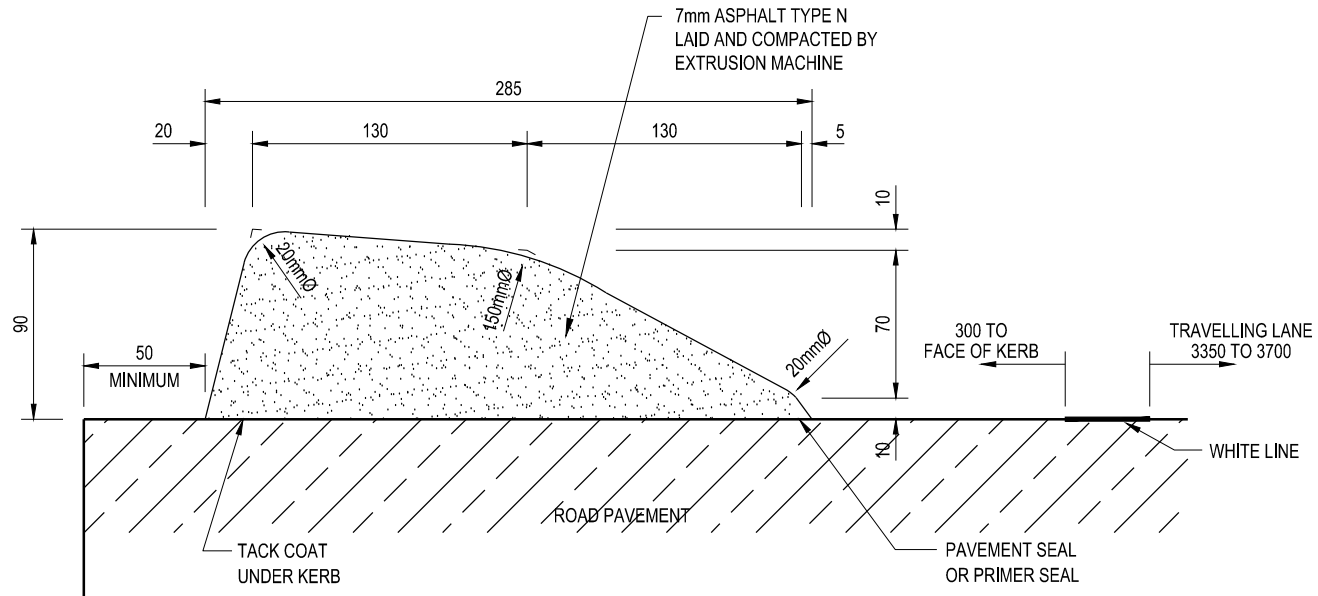


NOTES:

1. ALL MEASUREMENTS ARE IN MILLIMETRES.



ASPHALT KERB
(SPRAYED SEAL)

SCALE 1:3



MORNINGTON
PENINSULA
Shire

STANDARD PLAN

ASPHALT KERB
(SPRAYED SEAL)

CERTIFICATION

D. Rotter
DEREK ROTTER - MANAGER PROJECT DELIVERY

DATE OF ISSUE: Sept 2015

SHEET NO.: 1 OF 1

MP702