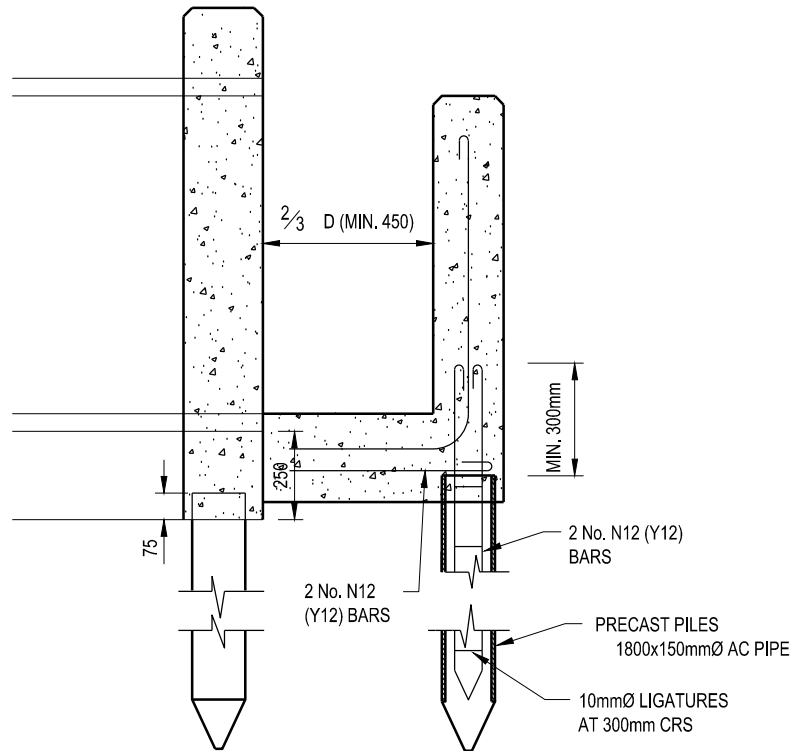
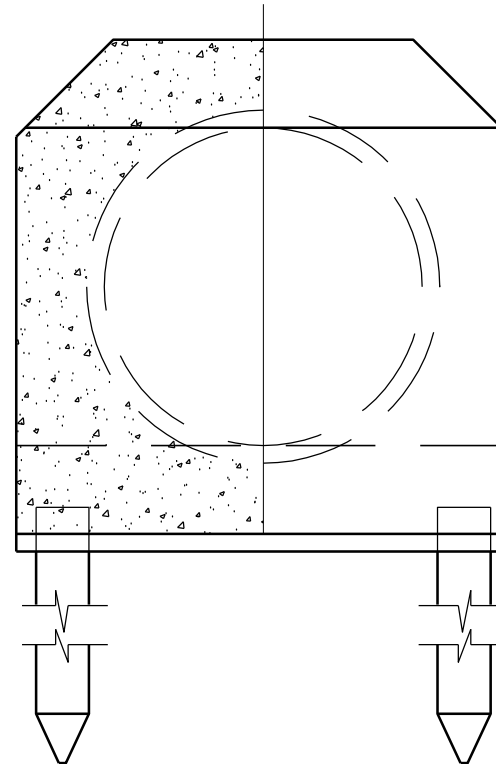


NOTES:

1. CONCRETE COVER MINIMUM 65mm.
2. CONCRETE STRENGTH 30MPa AT 28 DAYS.
3. MEASUREMENTS ARE IN MILLIMETRES.



SECTION
SCALE 1:20



ELEVATION
SCALE 1:20



MORNINGTON
PENINSULA
Shire

STANDARD PLAN
ENDWALL BAFFLE

CERTIFICATION


DEREK ROTTER - MANAGER PROJECT DELIVERY

DATE OF ISSUE: Sept 2015
SHEET NO.: 1 OF 1

MP503