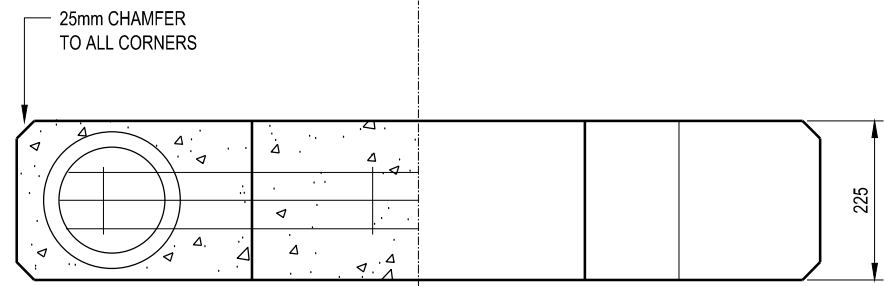
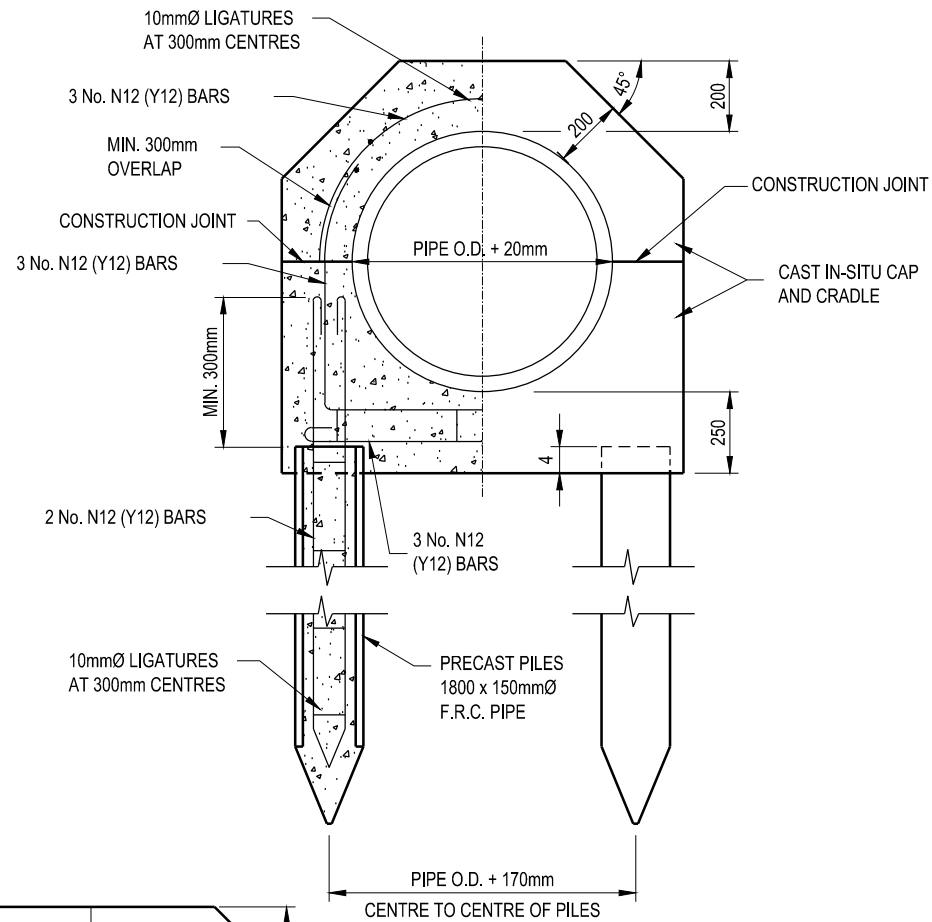


NOTES:

1. MINIMUM CONCRETE STRENGTH TO BE 32 MPa AT 28 DAYS.
2. CONCRETE COVER OVER REINFORCEMENT TO BE 65mm MINIMUM.
3. CRADLE TO BE CONSTRUCTED PRIOR TO LAYING OF PIPE.
4. PILES ARE TO BE "JETTED" INTO SAND.
5. TRESTLES ARE TO BE LOCATED AT JOINT IN PIPES.



SECTION
SCALE 1:20

PLAN
SCALE 1:20



STANDARD PLAN

**PIPE TRESTLE
FOR
SAND LOCATIONS**

CERTIFICATION
[Signature]
DEREK ROTTER - MANAGER PROJECT DELIVERY

DATE OF ISSUE: Sept 2015
SHEET NO.: 1 OF 1

MP502