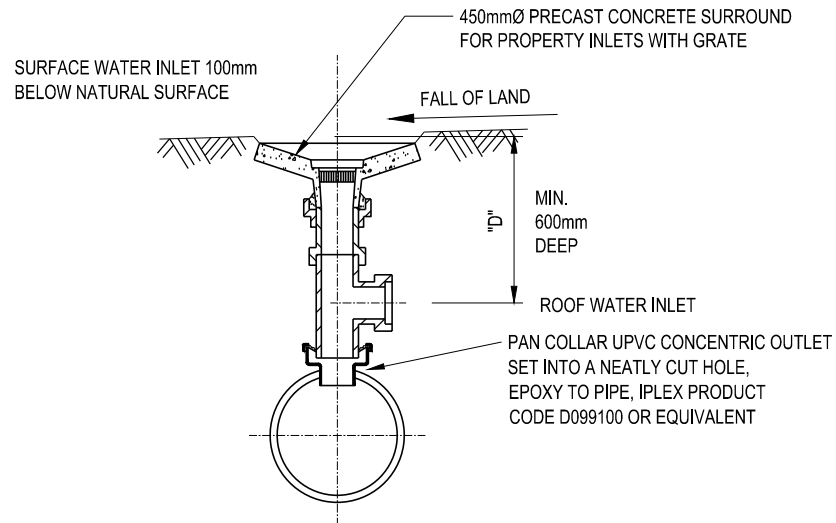


NOTES:

1. ALL ENDS TO BE CAPPED IF PIPE NOT CONNECTED.
2. PIPE FITTINGS 100mm UPVC (DWV LIGHT DUTY).
3. ALL UPVC JOINTS TO BE SOLVENT WELDED.
4. HOLES CUT IN CONCRETE OR FIBRE CEMENT PIPE SHALL BE BY MEANS OF A HAND AUGER OR SIMILAR WHICH SHALL NOT CAUSE SPALLING OR DAMAGE TO THE PIPE BEYOND THE HOLE CREATED.
5. DEPTH "D" BELOW EXISTING SURFACE TO ROOF WATER INLET TO BE IMMEDIATELY ABOVE THE UNDERGROUND DRAIN WITH A MINIMUM DEPTH OF 600mm FOR TYPE 7.
6. WHERE AN ENTRY IS TO BE MADE INTO AN EXISTING COUNCIL STORMWATER PIT, THE ENTRY MUST BE MADE BY A REGISTERED DRAINER.
7. ALL MEASUREMENTS ARE IN MILLIMETRES.



PROPERTY INLET TYPE 7

SCALE 1:20



MORNINGTON
PENINSULA
Shire

STANDARD PLAN
PROPERTY INLET
CONNECTION TYPE 7

CERTIFICATION


DEREK ROTTER - MANAGER PROJECT DELIVERY

DATE OF ISSUE: Sept 2015

SHEET NO.: 1 OF 1

MP407