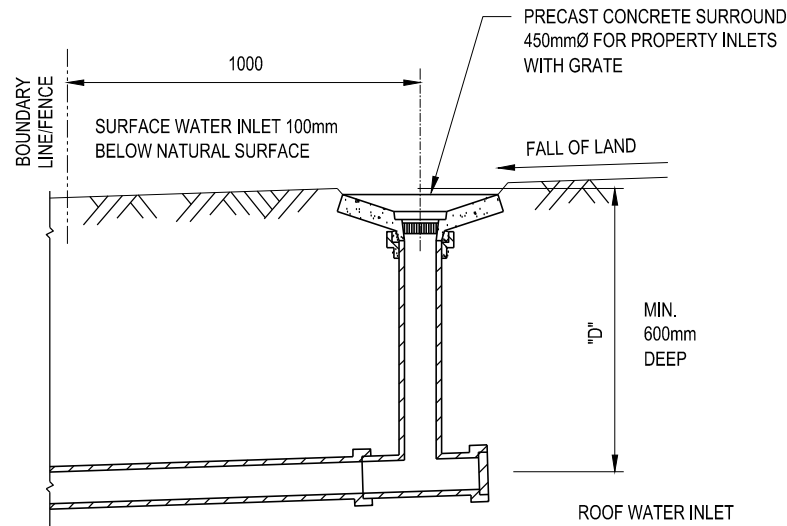


NOTES:

1. ALL ENDS TO BE CAPPED IF PIPE NOT CONNECTED.
2. PIPE FITTINGS 100mm UPVC (DWV LIGHT DUTY).
3. ALL UPVC JOINTS TO BE SOLVENT WELDED.
4. DEPTH "D" BELOW EXISTING SURFACE TO ROOF WATER INLET TO BE A MINIMUM OF 600mm FOR TYPE 2.
5. WHERE AN ENTRY IS TO BE MADE INTO AN EXISTING COUNCIL STORMWATER PIT, THE ENTRY MUST BE MADE BY A REGISTERED DRAINER. A PERMIT IS REQUIRED IN ALL SUCH CASES.
6. ALL MEASUREMENTS ARE IN MILLIMETRES.



PROPERTY INLET TYPE 2

SCALE 1:20



STANDARD PLAN

PROPERTY INLET  
CONNECTION TYPE 2

CERTIFICATION

*D. Rotter*  
DEREK ROTTER - MANAGER PROJECT DELIVERY

DATE OF ISSUE: Sept 2015

SHEET NO.: 1 OF 1

MP402