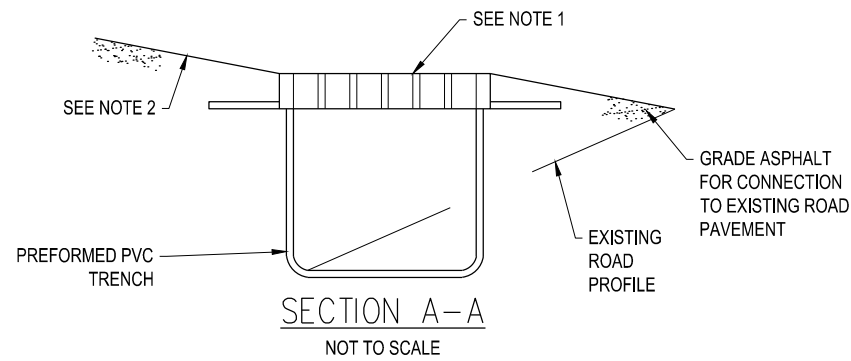


PLAN VIEW
NOT TO SCALE



NOTES

1. R & S GRATING CLASS C (MEDIUM DUTY) LONGITUDINAL TRENCH GRATE AND FRAME (OR APPROVED EQUIVALENT). WIDTH OF GRATE TO BE APPROVED BY SHIRE INSPECTION OFFICER (MIN. WIDTH 300mm).
2. DESIRABLE GRADE IS 1 IN 20. MAXIMUM ALLOWABLE GRADE IS 1 IN 12
3. ENSURE FULL LONGITUDINAL SUPPORT OF GRATING FRAME (FLANGES SHOULD BE FULLY EMBEDDED IN CONCRETE)
4. PROVIDE PREFORMED PVC TRENCH WHERE PRACTICALBLE



STANDARD PLAN

VEHICLE CROSSINGS
IN BLUESTONE
KERB & CHANNEL

CERTIFICATION

D. Rotter
DEREK ROTTER - MANAGER PROJECT DELIVERY

DATE OF ISSUE: Sept 2015

SHEET NO.: 1 OF 1

MP243