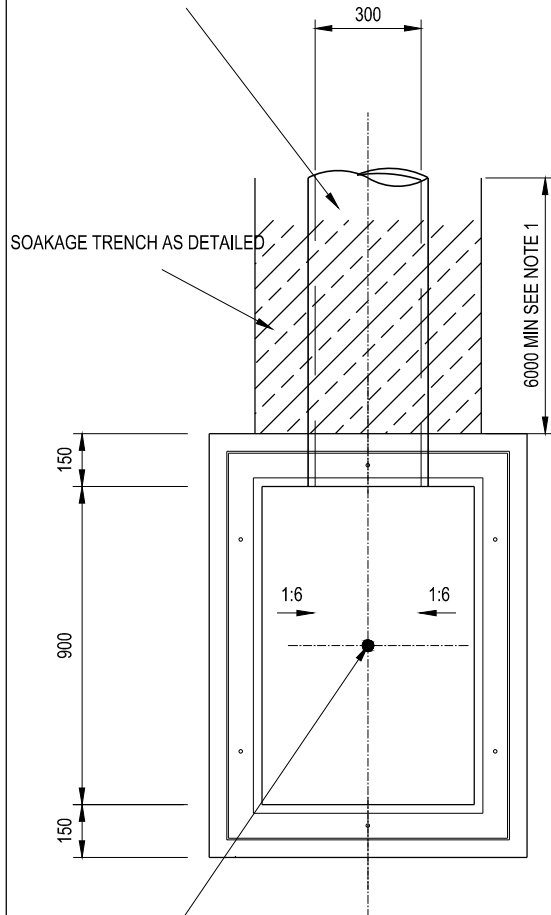


**NOTES**

1. LENGTH TO BE DETERMINED BY CATCHMENT AREA AND SOAKAGE RATE (CONSULT SUPERINTENDENT).

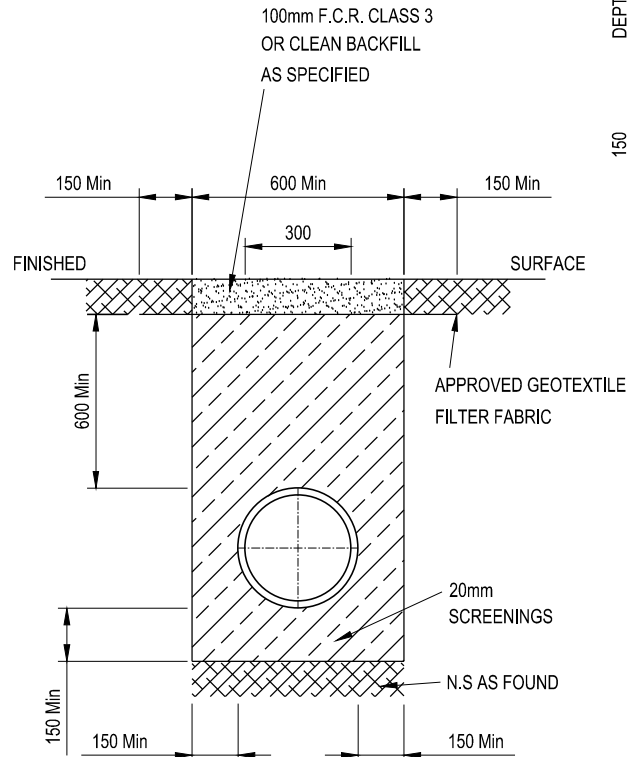
RIBBED POLYETHYLENE (P.E.) SUB SOIL DRAINAGE PIPE OR APPROVED EQUIVALENT



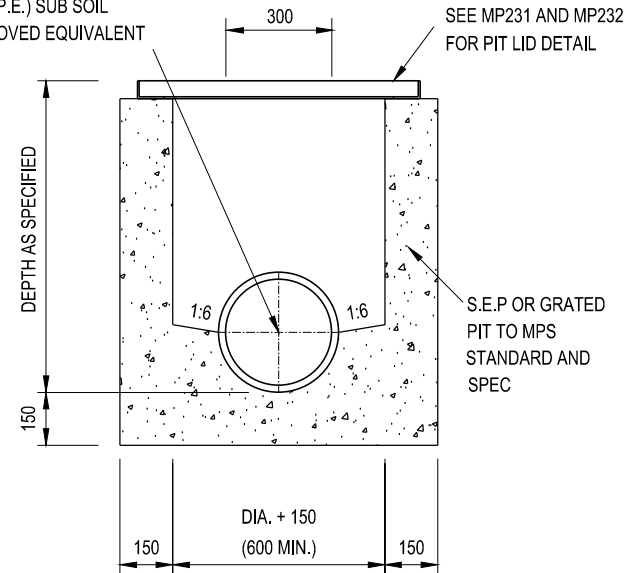
S.E.P OR GRATED PIT TO MPS STANDARD AND SPEC

**PLAN**  
SCALE 1:20

RIBBED POLYETHYLENE (P.E.) SUB SOIL DRAINAGE PIPE OR APPROVED EQUIVALENT



**SOAKAGE TRENCH DETAIL**  
SCALE 1:20



**TYPICAL SECTION**  
SCALE 1:20



**MORNINGTON PENINSULA**  
*Shire*

**STANDARD PLAN**

**300mm SUBSOIL DRAINAGE TRENCH**

CERTIFICATION

*D. Rotter*  
DEREK ROTTER - MANAGER PROJECT DELIVERY

DATE OF ISSUE: Sept 2015  
SHEET NO.: 1 OF 1

**MP240**