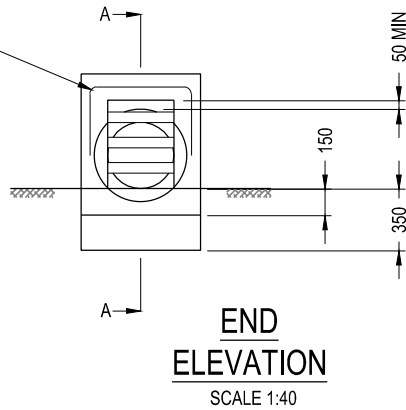


NOTES

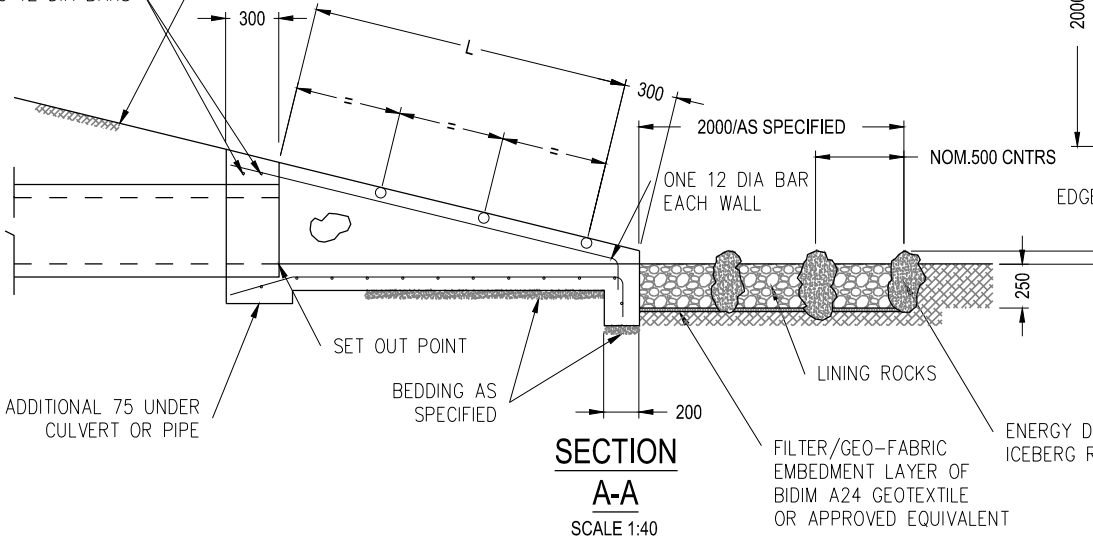
1. EDGE ROCKS AND ICEBERG ROCKS TO BE OF NOMINAL 300mm-400mm (L) X 200mm NOMINAL DIAMETER.
2. LINING ROCKS TO BE OF VARYING SIZE TO ADEQUATELY FILL VOIDS CREATED. TYPICALLY 50mm-150mm (L) X 100mm-150mm NOMINAL DIAMETER.
3. THE PROVISION OF DRIVABLE END WALLS TO BE IN ACCORDANCE WITH VIC ROADS STANDARD AND SPEC. REFER TO SD-1991A.

TWO 12 DIA BARS 300 MIN EMBEDMENT INTO SIDE WALLS



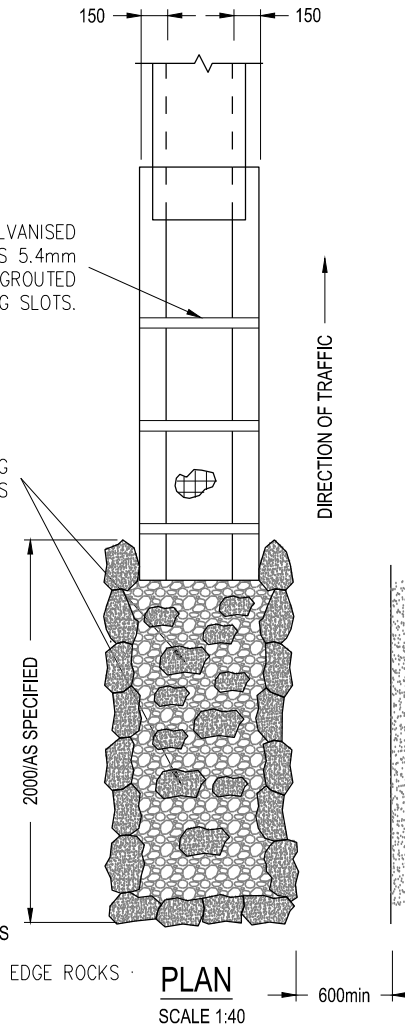
NATURAL/FINISHED SURFACE IS TO FINISH FLUSH WITH THE TOP OF THE ENDWALL

TWO 12 DIA BARS



60.3mm DIA GALVANISED STEEL TUBES 5.4mm THICK. TO BE GROUTED INTO EXISTING SLOTS.

ENERGY DISSIPATING ICEBERG ROCKS



MORNINGTON PENINSULA
Shire

STANDARD PLAN

DRIVEABLE ENDWALL
SD,1991 &
ROCK BEACHING DETAIL

CERTIFICATION

D. Rotter
DEREK ROTTER - MANAGER PROJECT DELIVERY

DATE OF ISSUE: Sept 2015

SHEET NO.: 1 OF 1

MP239