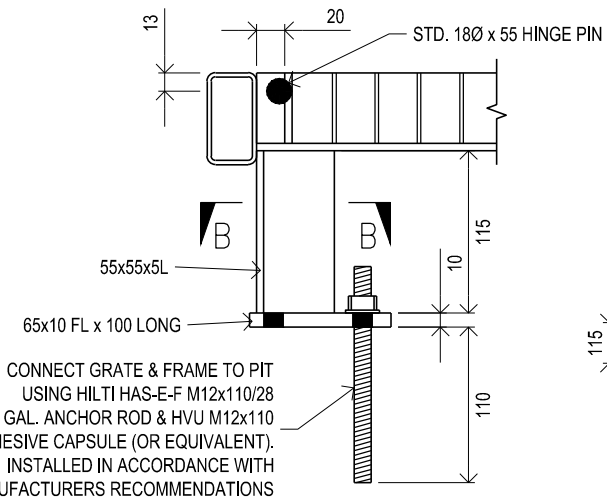


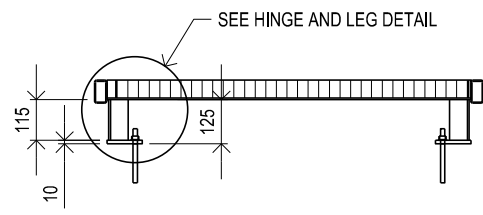
**NOTES:**

1. COMPLETE UNIT TO BE HOT DIPPED GALVANISED IN ACCORDANCE WITH AS/NZ 4680:1999.
2. WEIGHT:- 64kg.
3. ALL MEASUREMENTS ARE IN MILLIMETRES.
4. GRATE AND FRAME ARE AVAILABLE FROM WEBFORGE (VIC)  
81 CHIFLEY DRIVE, BULLEEN, PH. 03 9551 1911  
PRODUCT REFERENCE:- MSG69HSCM.

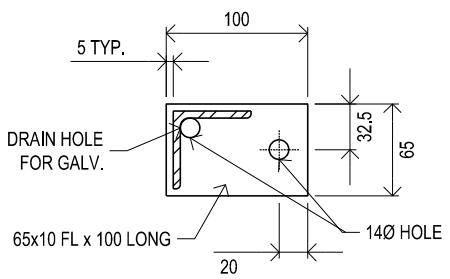


CONNECT GRATE & FRAME TO PIT USING HILTI HAS-E-F M12x110/28 GAL. ANCHOR ROD & HVU M12x110 ADHESIVE CAPSULE (OR EQUIVALENT), INSTALLED IN ACCORDANCE WITH MANUFACTURERS RECOMMENDATIONS

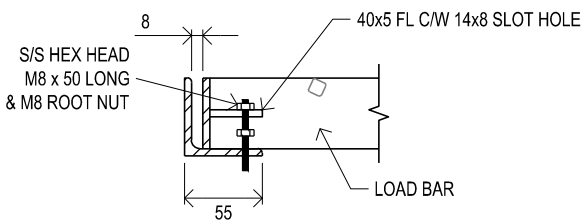
**HINGED AND LEG DETAIL**  
SCALE 1:5



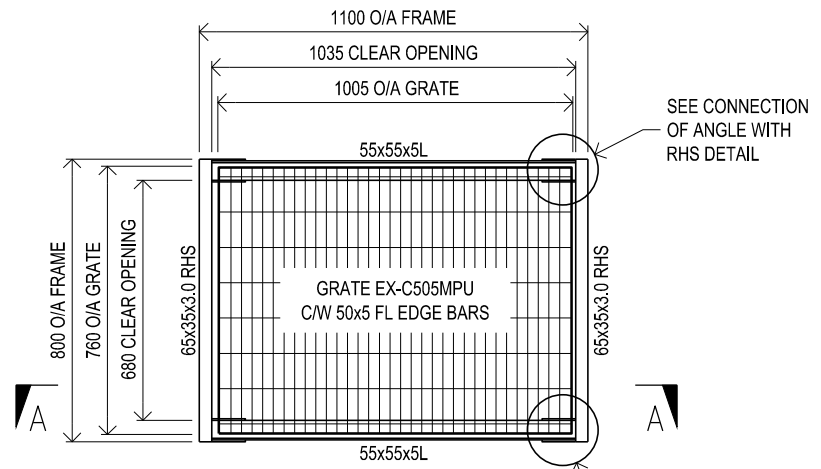
**SECTION A-A**  
SCALE 1:20



**SECTION B-B**  
SCALE 1:5



**LOCK DOWN DETAIL**  
SCALE 1:5



**GRATE AND FRAME**  
SCALE 1:20



**MORNINGTON PENINSULA**  
*Shire*

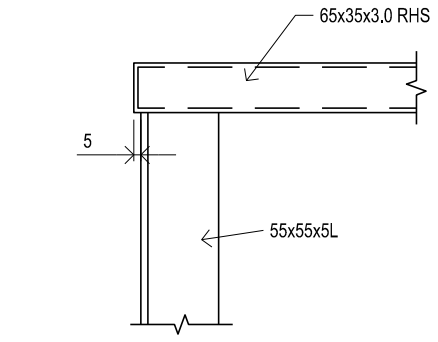
**STANDARD PLAN**

**ELEVATED, HINGED,  
LOCKABLE GRATE FOR PIT  
OPENING 900 X 600**

CERTIFICATION  
*D. Rotter*  
DEREK ROTTER - MANAGER PROJECT DELIVERY

DATE OF ISSUE: Sept 2015  
SHEET NO.: 1 OF 1

**MP238**



**DETAIL OF CONNECTION  
ANGLE WITH RHS**  
SCALE 1:5