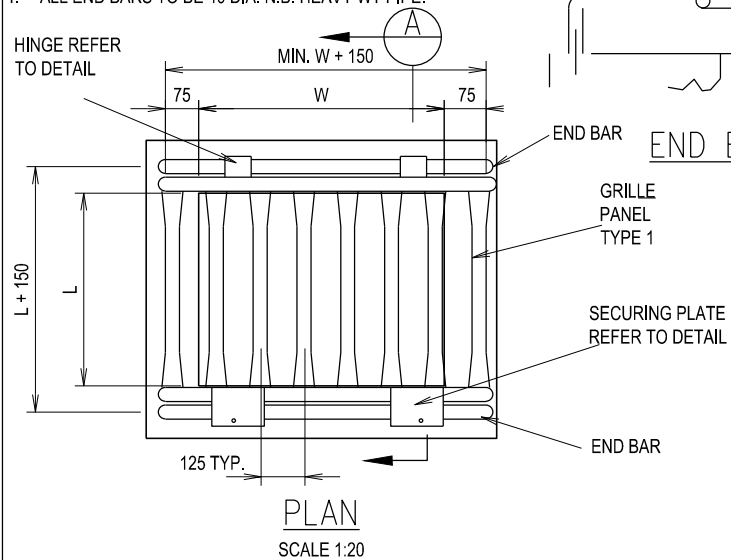


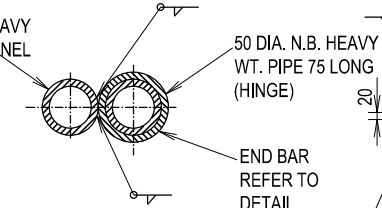
NOTES:

1. ALL WELDS TO BE 6mm FILLET UNLESS SHOWN OTHERWISE.
2. AFTER FABRICATION GRILLE AND FIXING RODS TO BE HOT DIPPED GALVANISED IN ACCORDANCE WITH AS/NZ 4680:1999.
3. PROVIDE SUITABLE HOLES FOR ALL MATERIALS TO BE GALVANISED AS REQUIRED.
4. ALL END BARS TO BE 40 DIA. N.B. HEAVY WT. PIPE.

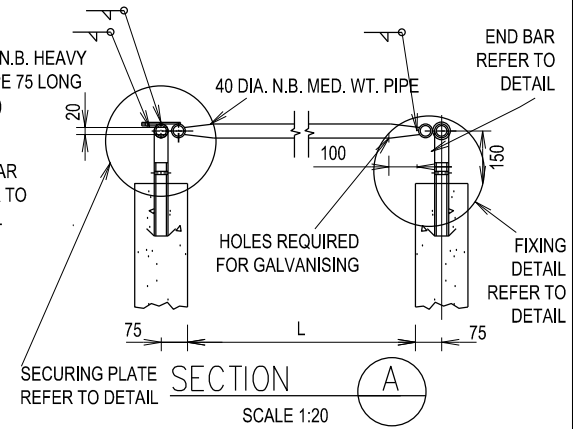
NOTE: END BARS TO BE 40 DIA. N.B. HEAVY WT. PIPE



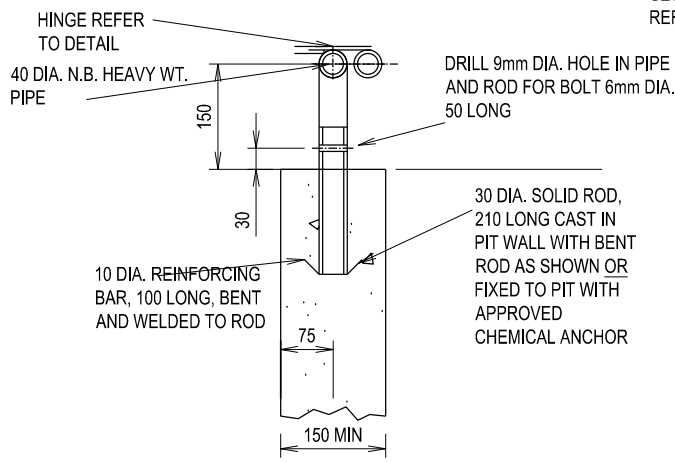
END BAR DETAIL
SCALE 1:20



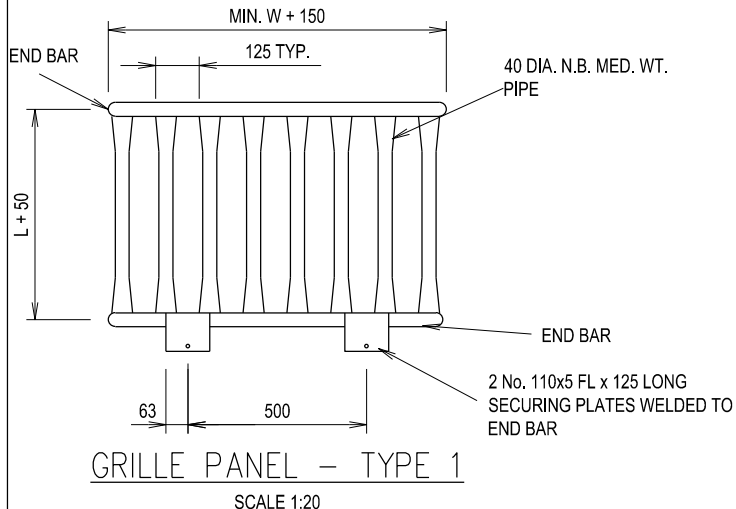
HINGE DETAIL
SCALE 1:5



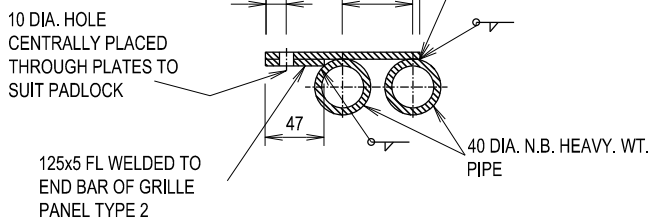
SECTION
SCALE 1:20



FIXING DETAIL
SCALE 1:20



GRILLE PANEL - TYPE 1
SCALE 1:20



SECURING PLATE DETAIL
SCALE 1:5



MORNINGTON PENINSULA
Shire

STANDARD PLAN

PIPE GRILLE
SINGLE HINGED OPENING FOR
PITS UP TO 900 x 1200

CERTIFICATION
[Signature]
DEREK ROTTER - MANAGER PROJECT DELIVERY

DATE OF ISSUE: Sept 2015
SHEET NO.: 1 OF 1

MP235