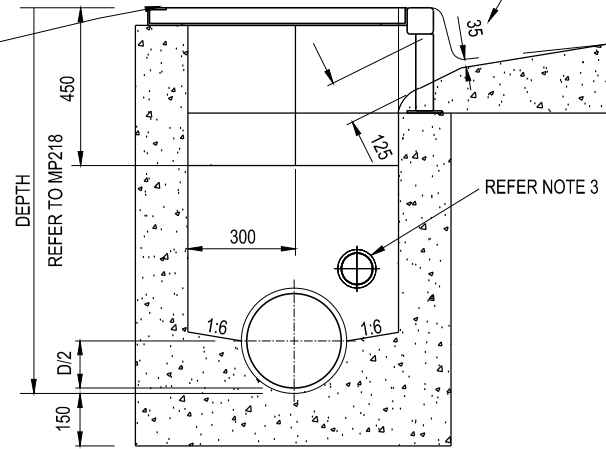


NOTES:

1. FIXING BOLTS TO BE LOCATED A MIN. OF 50mm FROM THE FACE OF PIT WALLS.
2. FOR PLAN VIEW SEE SHEET 1.
3. IN AREAS OTHER THAN FREE FLOWING SAND WHERE A.G. LINES ARE NOT CONNECTED INTO THE PIT, ALLOW 100mmØ A.G. OPENING INTO PIT AT OBVERT LEVEL OF INLET PIPES. BACKFILL PIPELINE FOR 500mm BACK FROM PIT WITH 20mm SCREENINGS TO TOP OF PIPE AND COVER WITH APPROVED GEOTEXTILE FILTER FABRIC.

50x5 CORNER SECTIONS WELDED FLUSH WITH TOP

NOTE: 35mm DRAWDOWN IN CHANNEL TO BE INTRODUCED OVER 1.0 METRE EITHER SIDE OF PIT INLET

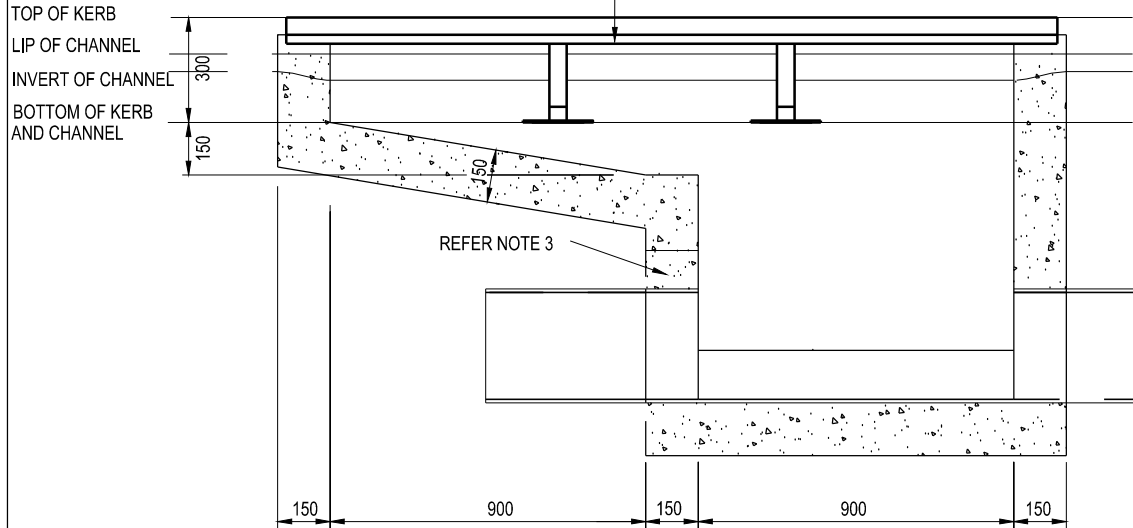


150 DIA. + 150 150
(MIN. 600)
PIPES OVER 450
CORBELL AS PER MP213

SECTION A-A

SCALE 1:20

FOR DETAILS OF TERRA FIRMA FRAME SEE MP233



SECTION B-B

SCALE 1:20



**MORNINGTON
PENINSULA**
Shire

STANDARD PLAN

**DOUBLE TYPE 1 SIDE ENTRY
PIT WITH SINGLE THROAT
(BARRIER KERB)**

CERTIFICATION

D. Rotter
DEREK ROTTER - MANAGER PROJECT DELIVERY

DATE OF ISSUE: Sept 2015

SHEET NO.: 2 OF 2

MP234