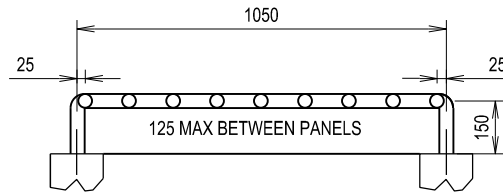


NOTES:

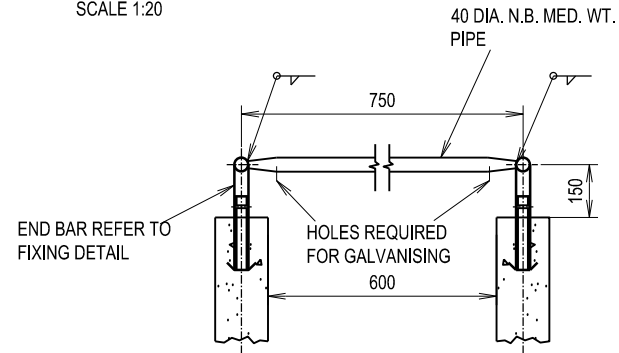
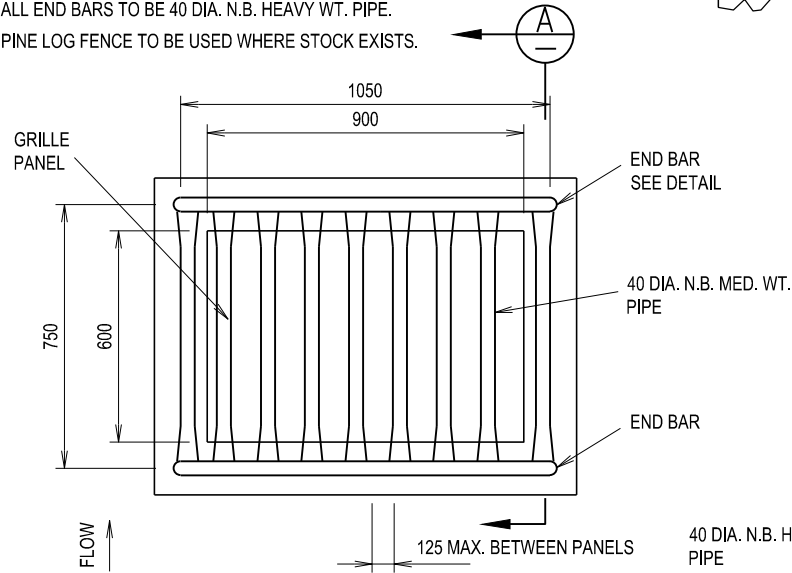
1. ALL WELDS TO BE 6mm FILLET UNLESS SHOWN OTHERWISE.
2. AFTER FABRICATION GRILLE AND FIXING RODS TO BE HOT DIPPED GALVANISED IN ACCORDANCE WITH AS/NZ 4680:1999
3. PROVIDE SUITABLE HOLES FOR ALL MATERIALS TO BE GALVANISED AS REQUIRED.
4. ALL END BARS TO BE 40 DIA. N.B. HEAVY WT. PIPE.
5. PINE LOG FENCE TO BE USED WHERE STOCK EXISTS.



NOTE: END BARS TO BE 40 DIA. N.B. HEAVY WT. PIPE

END BAR DETAIL

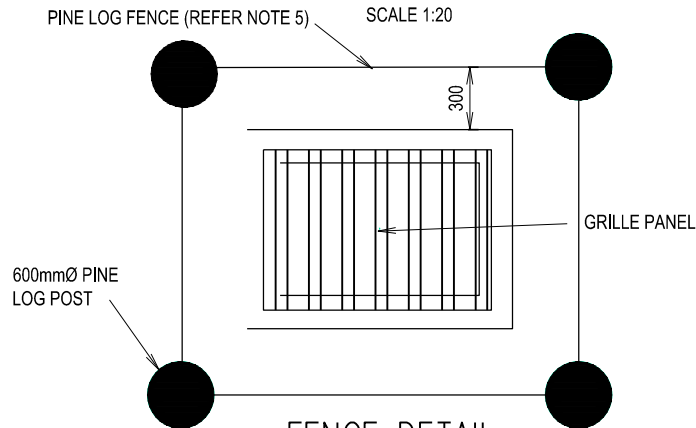
SCALE 1:20



SECTION A

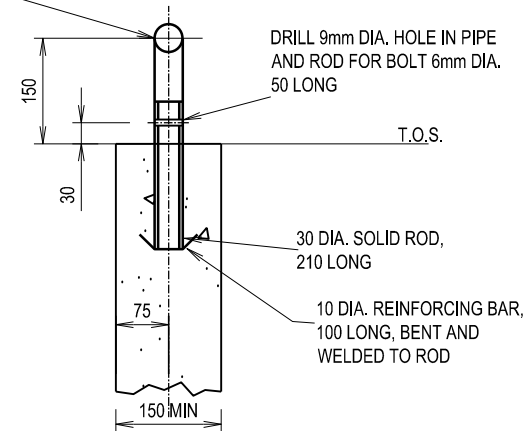
SCALE 1:20

PLAN
SCALE 1:20



FENCE DETAIL
NOT TO SCALE

40 DIA. N.B. HEAVY WT. PIPE



FIXING DETAIL

SCALE 1:10



MORNINGTON PENINSULA
Shire

STANDARD PLAN

**PIPE GRILLE
FOR PIT OPENING GREATER
THAN 900 x 600**

CERTIFICATION

Derek Rotter
DEREK ROTTER - MANAGER PROJECT DELIVERY

DATE OF ISSUE: Sept 2015

SHEET NO.: 1 OF 1

MP230