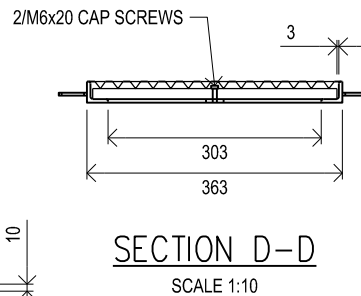
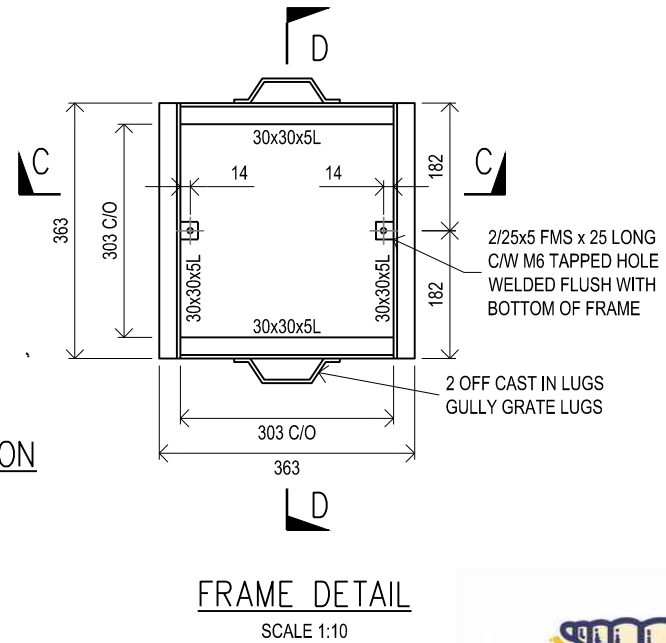
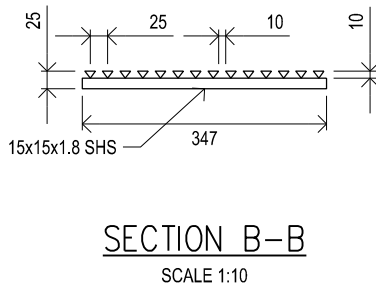
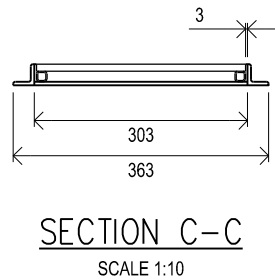
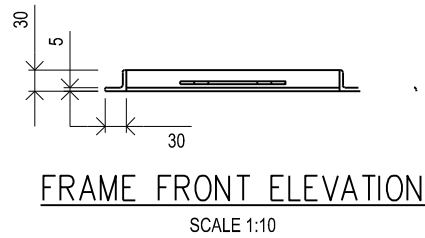
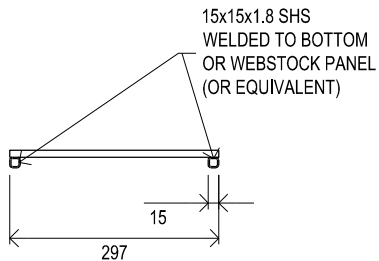
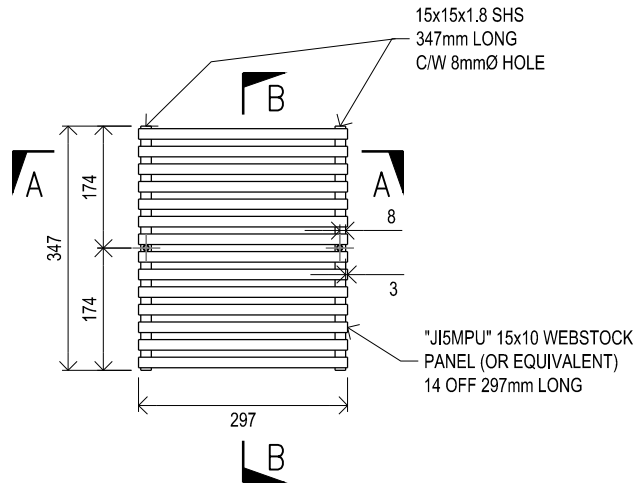


NOTES:

1. REFER TO SHEET 1 FOR INSTALLATION DETAILS.
2. FINISH TO BE HOT DIPPED GALVANISED IN ACCORDANCE WITH AS/NZ 4680:1999.
3. ALL MEASUREMENTS ARE IN MILLIMETRES.
4. GRATES ARE AVAILABLE FROM WEBFORGE (VIC) 81 CHIFLEY DRIVE, BULLEEN, PH. 03 9551 1911 GRATE REFERENCE:- MSG33A (LOCK DOWN).



STANDARD PLAN

**GRATED PIT
FOR
FOOTPATH SPOON DRAIN**

CERTIFICATION

Derek Rotter
DEREK ROTTER - MANAGER PROJECT DELIVERY

DATE OF ISSUE: Sept 2015

SHEET NO.: 2 OF 2

MP228