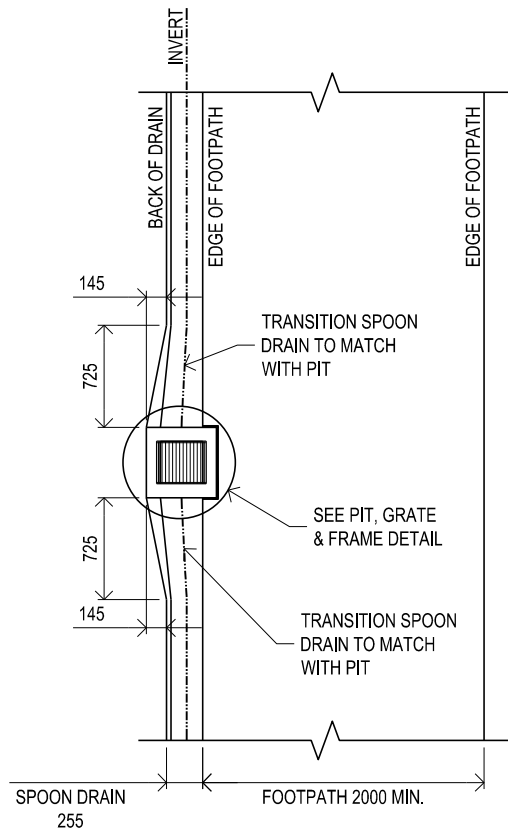
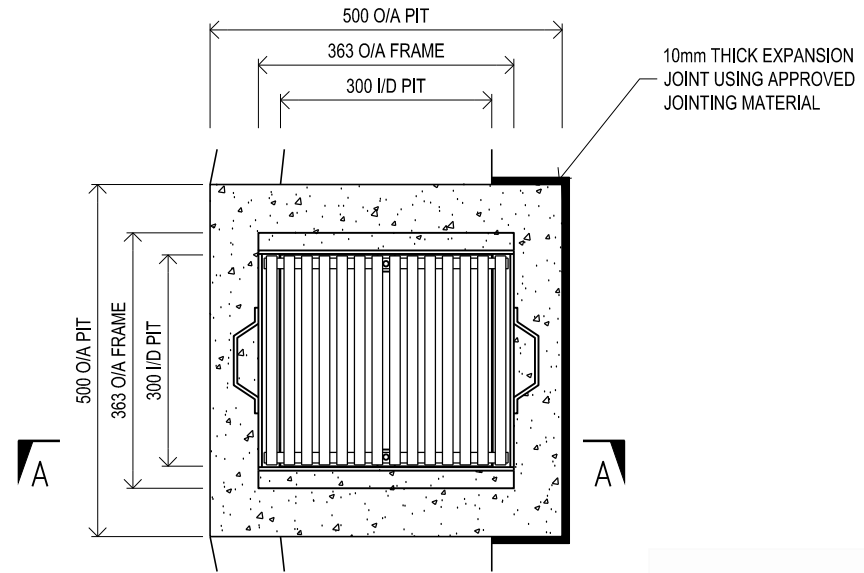


NOTES:

1. REFER TO MP901 FOR FOOTPATH AND SPOON DRAIN DETAILS.
2. REFER TO SHEET 2 FOR GRATE AND FRAME DETAILS.
3. ALL MEASUREMENTS ARE IN MILLIMETRES.
4. MAXIMUM PIT SPACING 30.0m.

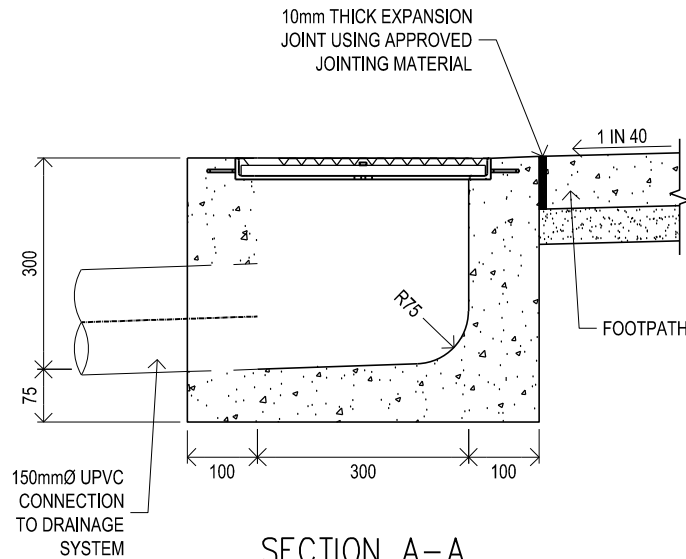


PLAN
SCALE 1:50



PIT, GRATE AND FRAME DETAIL

SCALE 1:10



SECTION A-A

SCALE 1:10



**MORNINGTON
PENINSULA**
Shire

STANDARD PLAN

**GRATED PIT
FOR
FOOTPATH SPOON DRAIN**

CERTIFICATION

D. Rotter
DEREK ROTTER - MANAGER PROJECT DELIVERY

DATE OF ISSUE: Sept 2015

SHEET NO.: 1 OF 2

MP228