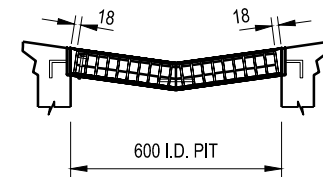


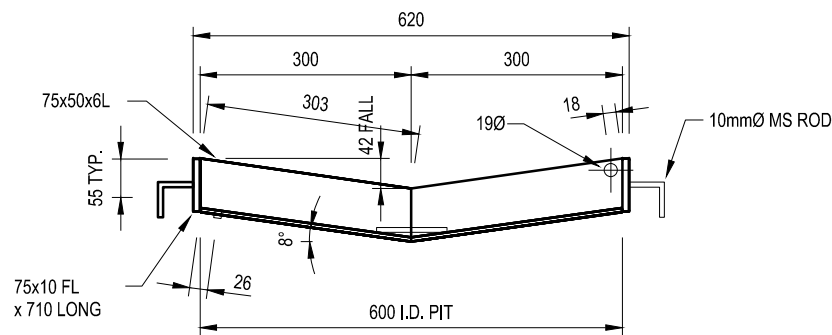
GRATE DETAIL

SCALE 1:20



SECTION A-A

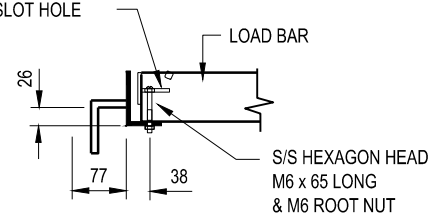
SCALE 1:20



FRAME DETAIL

SCALE 1:10

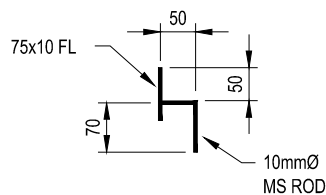
30x5 FL x 25 LONG
C/W 14x7 SLOT HOLE



NB. BOLT TO BE SUPPLIED WITH
20mm LONG RUBBER SLEEVE
TO BE CAST INTO CONCRETE

LOCK DOWN DETAIL

SCALE 1:20



SECTION B-B

SCALE 1:10



**MORNINGTON
PENINSULA**
Shire

STANDARD PLAN

**BICYCLE PROOF, HINGED,
LOCKABLE GRATE IN A 900 OPEN
INVERT FOR 600 x 600 PIT**

CERTIFICATION

D. Rotter
DEREK ROTTER - MANAGER PROJECT DELIVERY

DATE OF ISSUE: Sept 2015

SHEET NO.: 1 OF 1

MP224