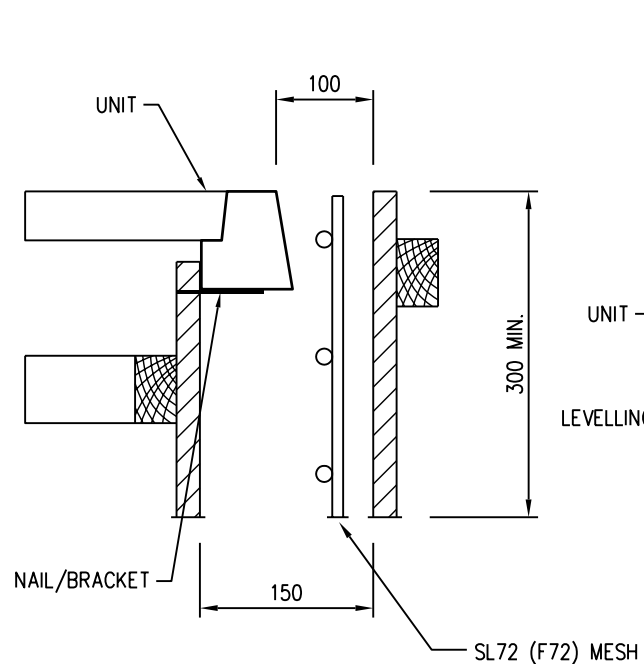
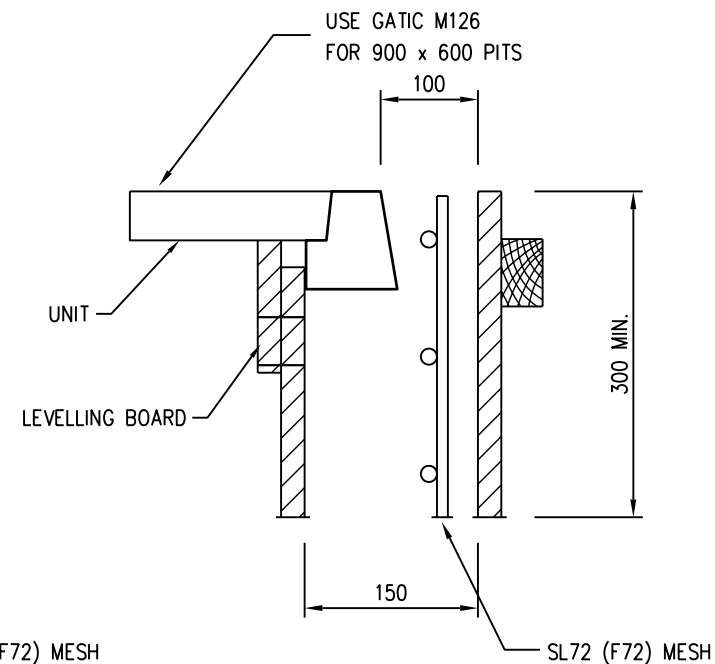


UNITS CARRIED ON
FORMWORK
NOT TO SCALE





UNITS CARRIED ON
NAILS OR BRACKETS
NOT TO SCALE



UNITS CARRIED ON
LEVELLING BOARD
NOT TO SCALE

NOTES:

1. SET THE TOP EDGE OF THE INNER PIT OR TRENCH FORMWORK ACCURATELY TO LINE AND LEVEL. THE CORRECT LEVEL BEING FINISHED LEVEL LESS THE THICKNESS OF THE GRATE COVER. ALTERNATIVELY, NAILS CAN BE PLACED INTO POSITION ON TOP OF THE FORMWORK.
2. CAST THE PIT OR TRENCH WALL. THIS PERMANENTLY ENCASES THE FRAMES IN CONCRETE. COVERS CAN BE FILLED SIMULTANEOUSLY.
3. ALL MEASUREMENTS ARE IN MILLIMETRES.

DESIGNED:	DRAWN: P.S.	
 MANAGER – INFRASTRUCTURE PROJECT MANAGEMENT DATE: 09.07.2004		
		LAST UPDATED: 06.05.2004
		MP220