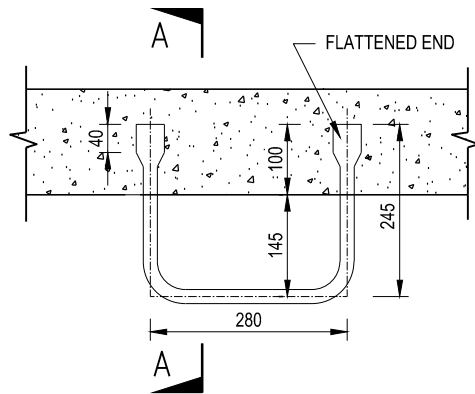
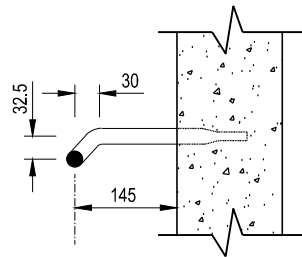


NOTES:

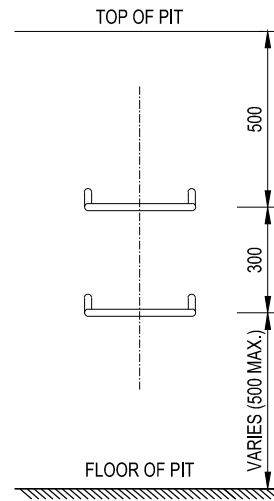
1. STEP IRONS FROM 20mmØ STEEL BAR, HOT DIP GALVANIZED IN ACCORDANCE WITH AS/NZ 4680:1999.
2. PROVIDE STEP IRONS IN ALL PITS OVER 1.0m DEPTH.
3. STEP IRONS TO BE LOCATED IN PIT WALLS, CLEAR OF PIPES WHERE POSSIBLE.
4. ALL MEASUREMENTS ARE IN MILLIMETRES.



PLAN
SCALE 1:10



SECTION A-A
SCALE 1:10



ELEVATION
SCALE 1:20



MORNINGTON
PENINSULA
Shire

STANDARD PLAN
PIT STEP IRONS

CERTIFICATION


DEREK ROTTER - MANAGER PROJECT DELIVERY

DATE OF ISSUE: Sept 2015

SHEET NO.: 1 OF 1

MP219