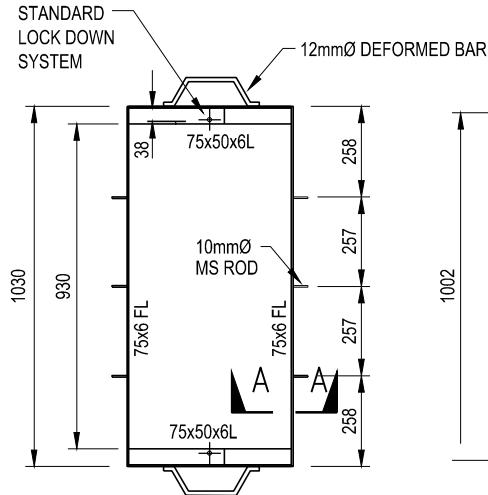
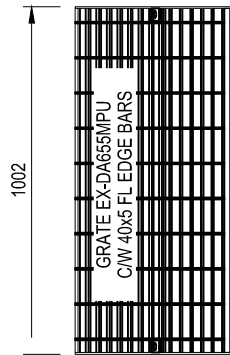


NOTES:

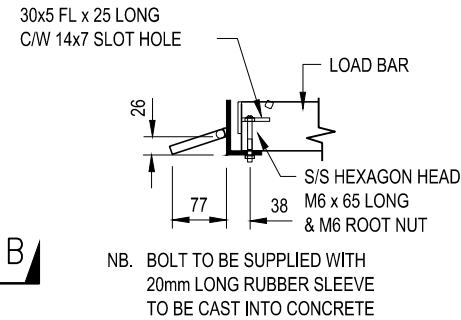
1. FINISH TO BE HOT DIPPED GALVANISED IN ACCORDANCE WITH AS/NZ 4680:1999.
2. WEIGHT:- 56kg.
3. ALL MEASUREMENTS ARE IN MILLIMETRES.
4. GRATE & FRAME ARE AVAILABLE FROM WEBFORGE (VIC.)
81 CHIFLEY DRIVE, BULLEN, PH. 03 9551 1911
PRODUCT REFERENCE:- MCG94HV21.



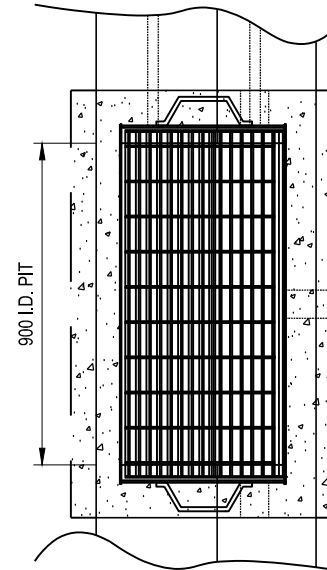
FRAME
SCALE 1:20



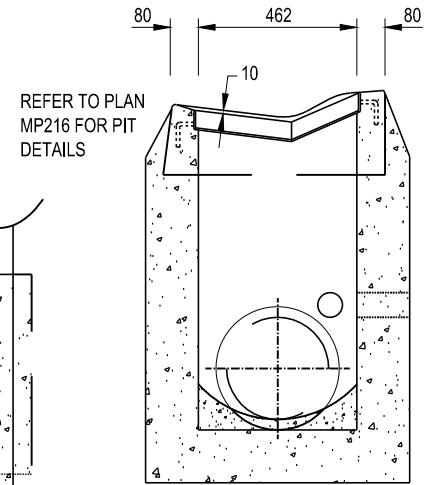
GRATE
SCALE 1:20



LOCK DOWN DETAIL
SCALE 1:20



PLAN
SCALE 1:20



ELEVATION
SCALE 1:20



**MORNINGTON
PENINSULA**
Shire

STANDARD PLAN

**BICYCLE PROOF, LOCKABLE
GRATE FOR PIT UNDER
ROLLOVER KERB & CHANNEL**

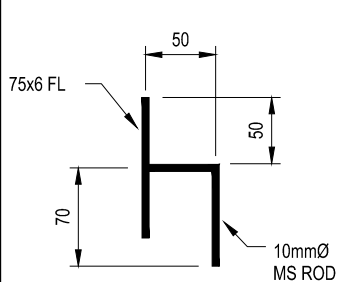
CERTIFICATION

[Signature]
DEREK ROTTER - MANAGER PROJECT DELIVERY

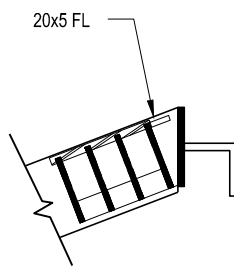
DATE OF ISSUE: Sept 2015

SHEET NO.: 1 OF 1

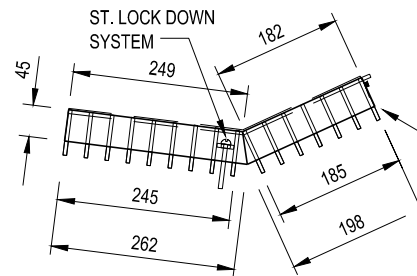
MP217



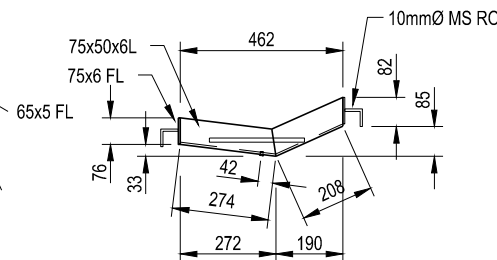
SECTION A-A
SCALE 1:5



SECTION B-B
NOT TO SCALE



GRATE DETAIL
SCALE 1:10



FRAME DETAIL
SCALE 1:20