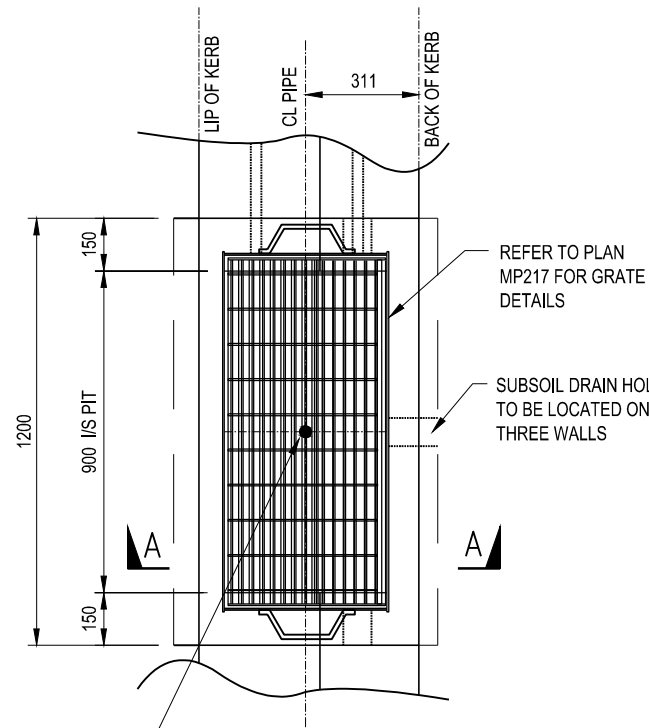


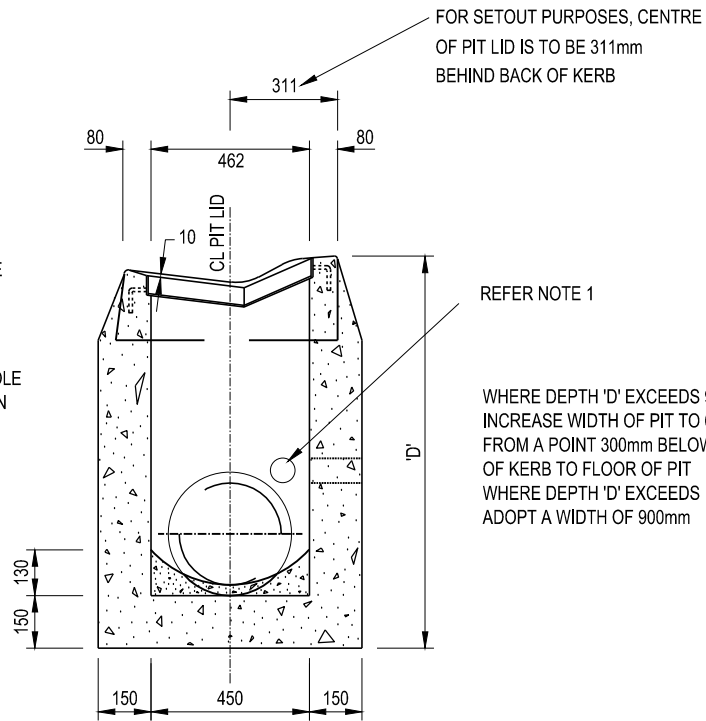
NOTES:

1. IN AREAS OTHER THAN FREE FLOWING SAND WHERE A.G. LINES ARE NOT CONNECTED INTO THE PIT, ALLOW 100mmØ A.G. OPENING INTO PIT AT OBVERT LEVEL OF INLET PIPES. BACKFILL PIPELINE FOR 500mm. BACK FROM PIT WITH 20mm SCREENINGS TO TOP OF PIPE AND COVER WITH APPROVED GEOTEXTILE FILTER FABRIC.
2. ALL MEASUREMENTS ARE IN MILLIMETRES.



PIT SETOUT POINT IS AT CENTRE OF PIT LID (311mm BEHIND BACK OF KERB)

PLAN
SCALE 1:20



SECTION A-A
SCALE 1:20



STANDARD PLAN

**GRATING PIT
UNDER
ROLLOVER KERB & CHANNEL**

CERTIFICATION

D. Rotter
DEREK ROTTER - MANAGER PROJECT DELIVERY

DATE OF ISSUE: Sept 2015

SHEET NO.: 1 OF 1

MP216