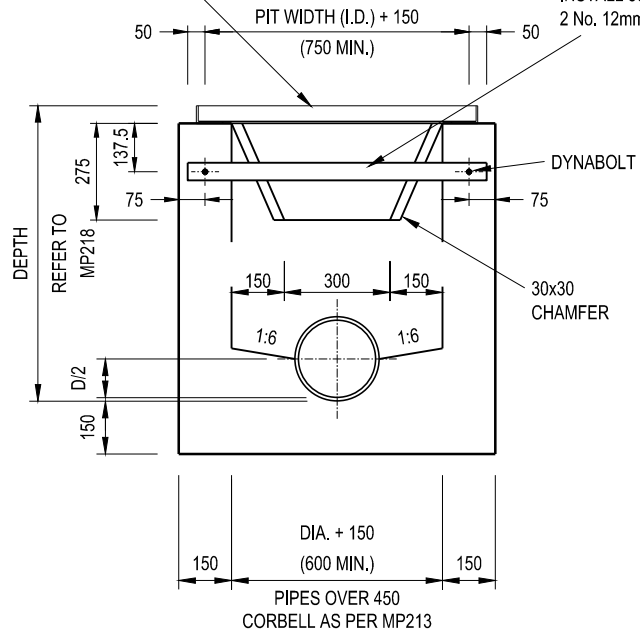


**NOTES:**

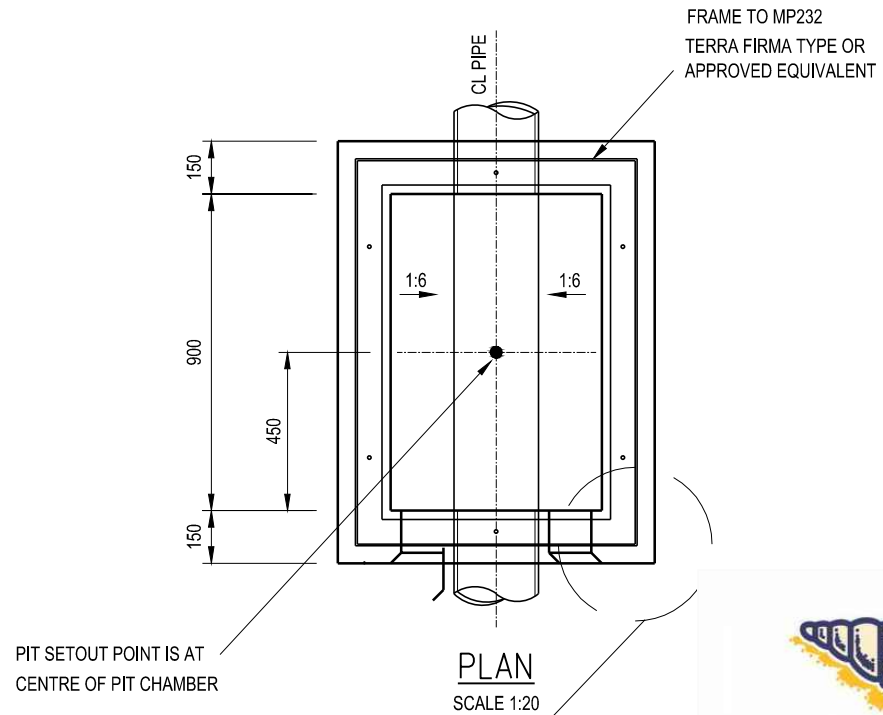
1. STEEL PLATE FINISH TO BE HOT DIPPED GALVANISED IN ACCORDANCE WITH AS/NZ 4680:1999.
2. FOR FRAME FIXING DETAILS SEE MP232
3. ALL MEASUREMENTS ARE IN MILLIMETRES.

FRAME AND LID TO MP232  
TERRA FIRMA TYPE OR APPROVED EQUIVALENT  
PIT LID TO BE KHAKI COLOUR

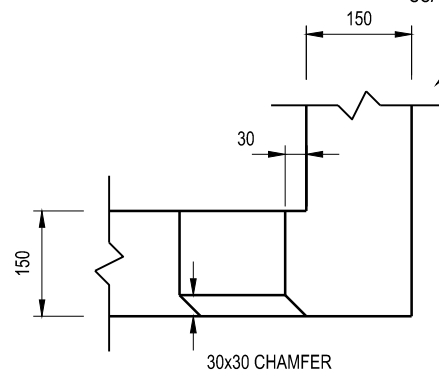
IN URBAN AREAS  
INSTALL 50x10 FL USING  
2 No. 12mmØ DYNABOLTS



**END ELEVATION**  
SCALE 1:20



PIT SETOUT POINT IS AT CENTRE OF PIT CHAMBER



**CORNER DETAIL**  
SCALE 1:10  
NOTE: LID NOT SHOWN



**STANDARD PLAN**

CATCH PIT 900 X 600  
FOR  
TABLE DRAINS

CERTIFICATION

*D. Rotter*  
DEREK ROTTER - MANAGER PROJECT DELIVERY

DATE OF ISSUE: Sept 2015

SHEET NO.: 1 OF 1

**MP215**