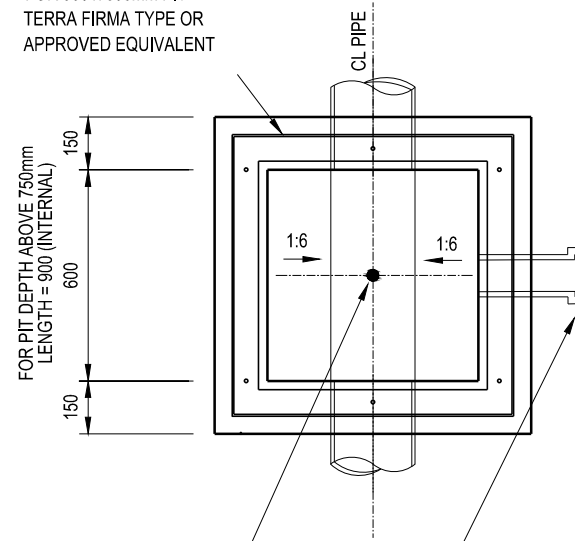


NOTES:

1. FOR FRAME FIXING DETAILS SEE MP232 OR MP236 (MP236 FOR 600 x 600mm PITS).
2. 100mm DIA. SEWER CLASS UPVC STUB(S) FOR PROPERTY INLET CONNECTIONS TO BE PROVIDED AS REQUIRED. LOCATE STUBS AS APPROPRIATE FOR CONNECTIONS OF PROPERTY INLETS AND HOUSE DRAINS AS DETAILED ON DESIGN CONSTRUCTION PLANS. STUBS TO BE PLACED AT AN APPROPRIATE DEPTH TO ALLOW FOR ACCEPTABLE GRADES AND COVER ON HOUSE DRAINS. (DESIRABLE MINIMUM COVER 500 - 600mm)
3. ALL MEASUREMENTS ARE IN MILLIMETRES.

FRAME TO MP236 FOR
600 x 600mm PIT OR MP232
FOR 900 x 600mm PIT
TERRA FIRMA TYPE OR
APPROVED EQUIVALENT



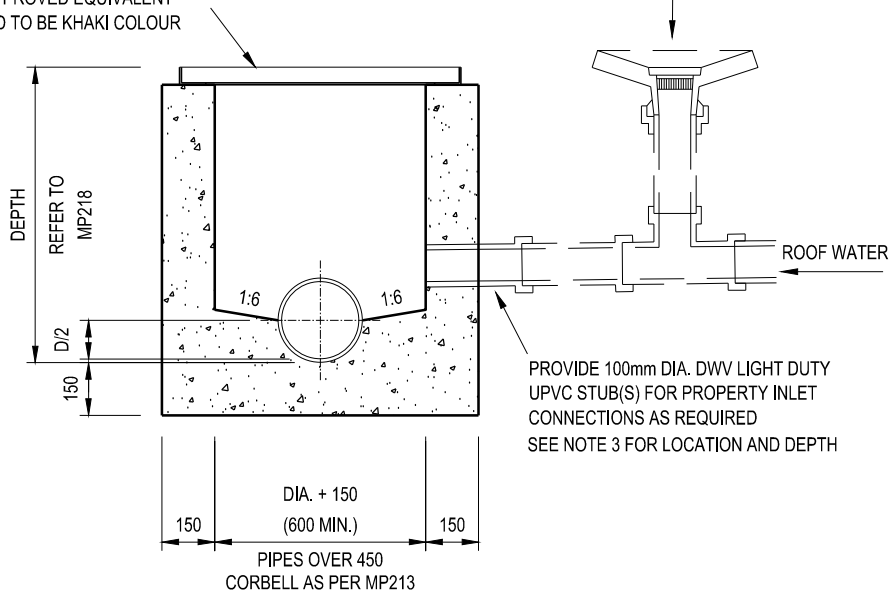
PIT SETOUT POINT IS AT
CENTRE OF PIT CHAMBER

PROVIDE 100mm DIA. DWV LIGHT DUTY
UPVC STUB(S) FOR PROPERTY INLET
CONNECTIONS AS REQUIRED
SEE NOTE 2 FOR LOCATION

PLAN
SCALE 1:20

FRAME AND LID TO MP236 FOR
600 x 600mm PIT OR MP232
FOR 900 x 600mm PIT
TERRA FIRMA TYPE OR
APPROVED EQUIVALENT
LID TO BE KHAKI COLOUR

EXAMPLE OF TYPICAL PROPERTY
INLET, SEE MP408



PROVIDE 100mm DIA. DWV LIGHT DUTY
UPVC STUB(S) FOR PROPERTY INLET
CONNECTIONS AS REQUIRED
SEE NOTE 3 FOR LOCATION AND DEPTH

TYPICAL SECTION
SCALE 1:20



STANDARD PLAN
EASEMENT PIT

CERTIFICATION

D. Rotter
DEREK ROTTER - MANAGER PROJECT DELIVERY

DATE OF ISSUE: Sept 2015

SHEET NO.: 1 OF 1

MP212