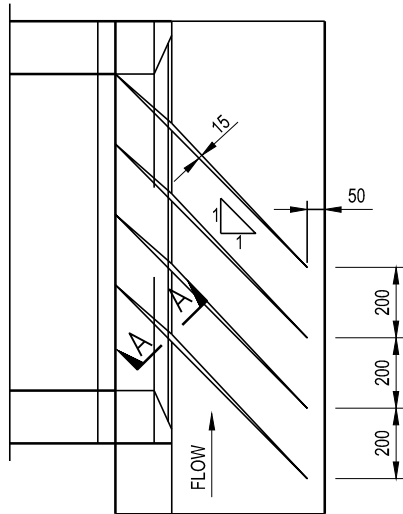
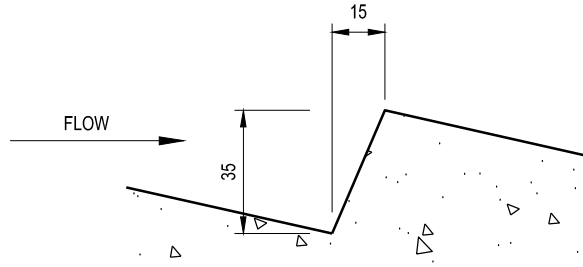


NOTES:

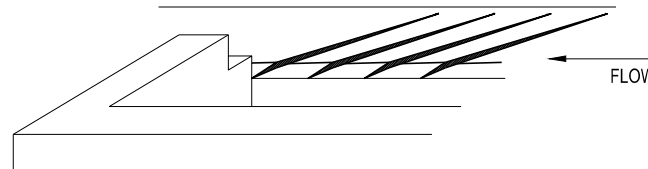
1. FLUTED SIDE ENTRY PITS ARE TO BE USED WHERE LONGITUDINAL GRADES EXCEED 5% OR AS REQUIRED IN OTHER SPECIAL LOCATIONS.
2. ALL MEASUREMENTS ARE IN MILLIMETRES.



PLAN OF FLUTED ENTRY  
SCALE 1:10



SECTION A-A  
SCALE 1:2



VIEW OF FLUTING FROM INSIDE THE PIT



**MORNINGTON  
PENINSULA**  
*Shire*

**STANDARD PLAN**

FLUTED ENTRY DETAILS  
FOR  
SIDE ENTRY PITS TYPE 1 & 2

CERTIFICATION

  
DEREK ROTTER - MANAGER PROJECT DELIVERY

DATE OF ISSUE: Sept 2015

SHEET NO.: 1 OF 1

**MP207**