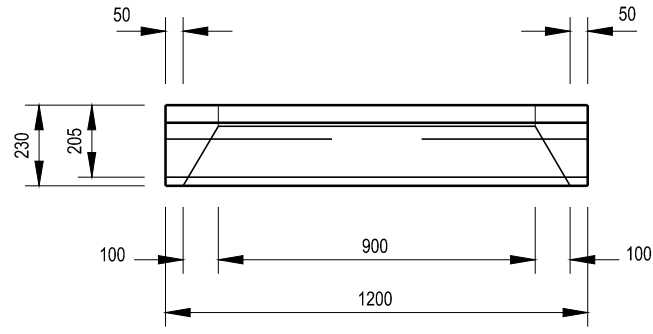
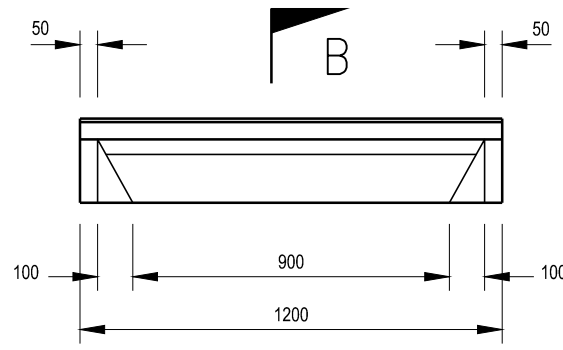


NOTES:

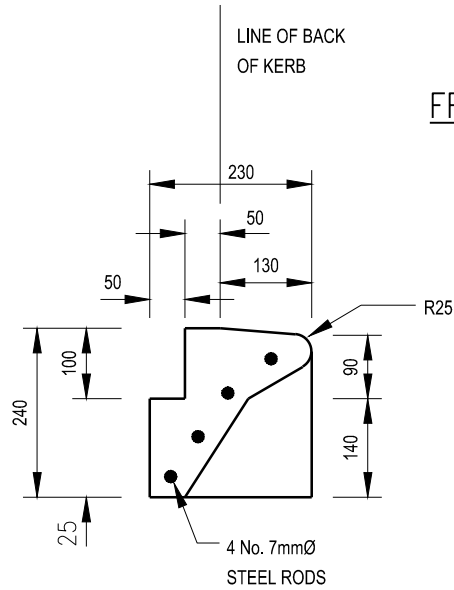
- 1. ALL MEASUREMENTS ARE IN MILLIMETRES.



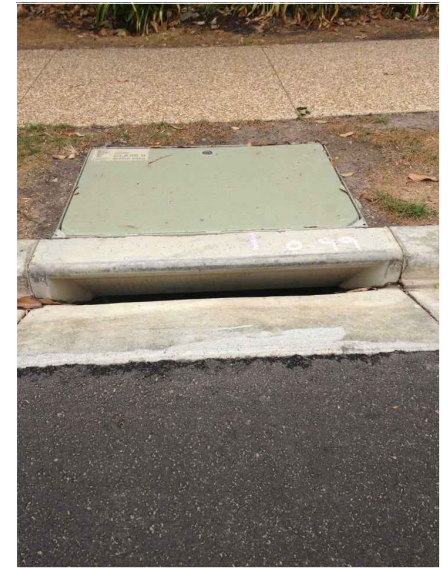
PLAN
SCALE 1:20



FRONT ELEVATION
SCALE 1:20



SECTION B-B
SCALE 1:10



STANDARD PLAN

LINTEL FOR SIDE ENTRY PIT
TYPE 2
(ROLLOVER KERBS)

CERTIFICATION

D. Rotter
DEREK ROTTER - MANAGER PROJECT DELIVERY

DATE OF ISSUE: Sept 2015

SHEET NO.: 1 OF 1

MP205