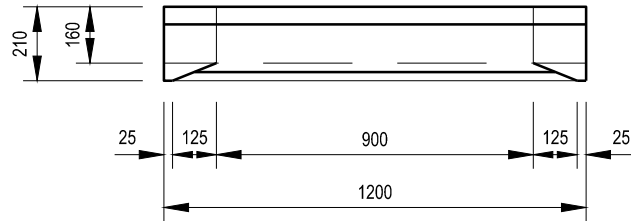
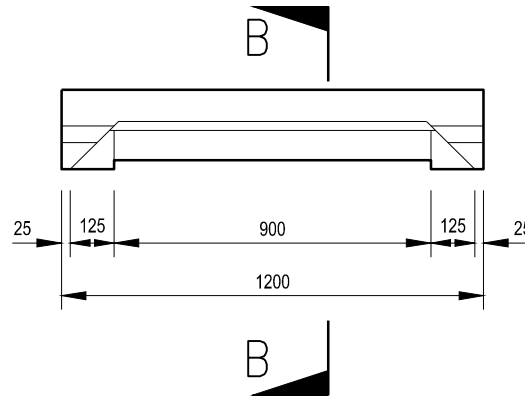


NOTES:

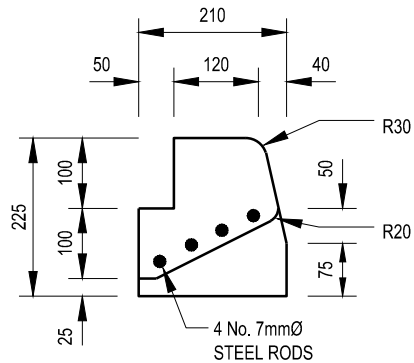
- 1. ALL MEASUREMENTS ARE IN MILLIMETRES.



PLAN  
SCALE 1:20



FRONT ELEVATION  
SCALE 1:20



SECTION B-B  
SCALE 1:10



STANDARD PLAN

LINTEL FOR SIDE ENTRY PIT  
TYPE 1  
(BARRIER KERBS)

CERTIFICATION

*D. Rotter*  
DEREK ROTTER - MANAGER PROJECT DELIVERY

DATE OF ISSUE: Sept 2015

SHEET NO.: 1 OF 1

MP202