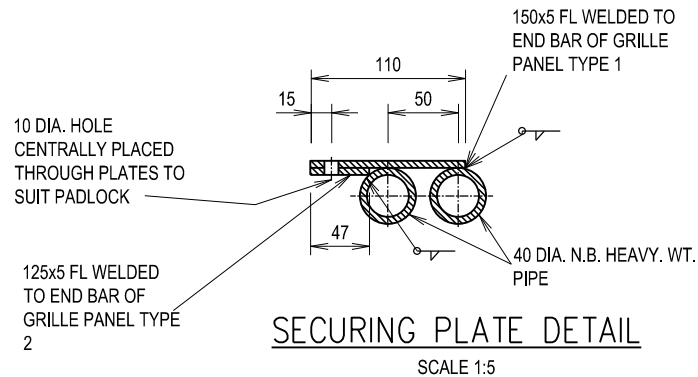
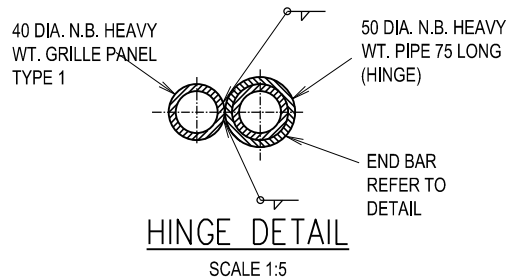


NOTE: END BARS TO BE 40 DIA. N.B. HEAVY WT. PIPE



STANDARD PLAN

PIPE GRILLE
FOR PIT OPENING GREATER
THAN 900 x 900

CERTIFICATION
D. Rotter
DEREK ROTTER - MANAGER PROJECT DELIVERY

DATE OF ISSUE: Sept 2015
SHEET NO.: 2 OF 2

MP229